

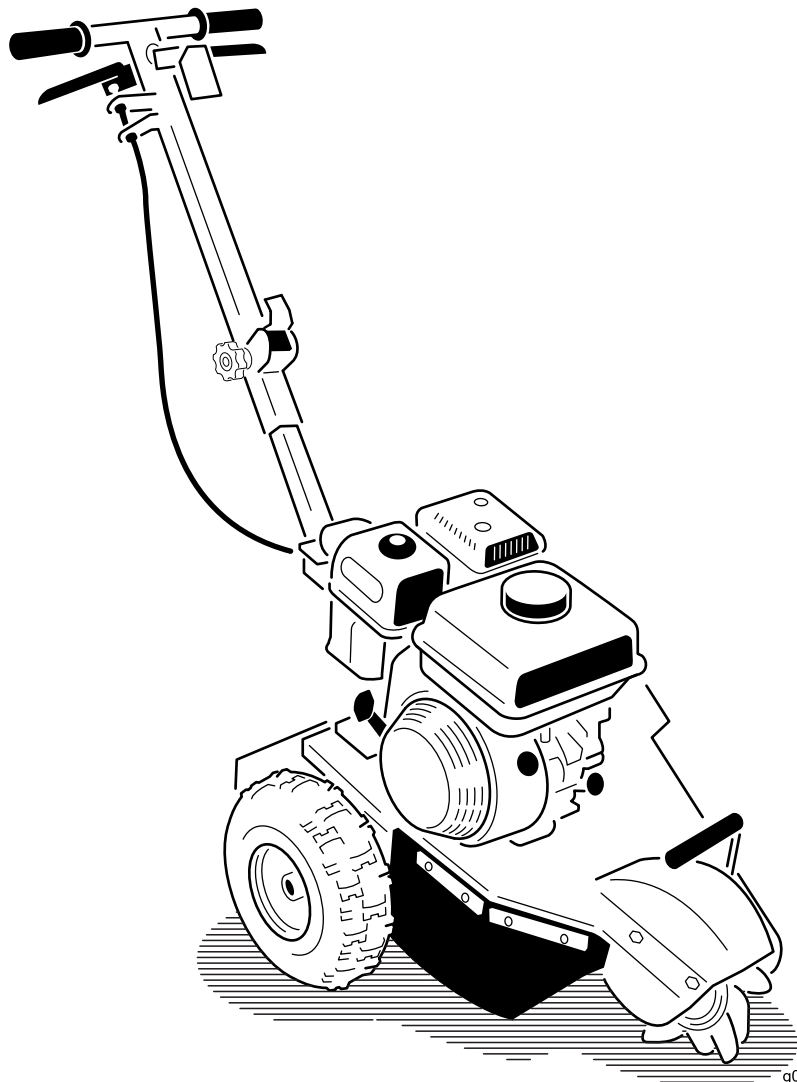


Count on it.

Operator's Manual

6.5 hp Stump Grinder

Model No. 22601—Serial No. 31000001 and Up



g014867

WARNING

CALIFORNIA Proposition 65 Warning

The engine exhaust from this product contains chemicals known to the State of California to cause cancer, birth defects, or other reproductive harm.

▲ DANGER

There may be buried power, gas, and/or telephone lines in the work area. Shock or explosion may occur if you dig into them.

Have the property or work area marked for buried lines and do not dig in marked areas. Contact your local marking service or utility company to have the property marked (for example, in the United States, call 811 for the nationwide marking service).

This spark ignition system complies with Canadian ICES-002.

Because in some areas there are local, state, or federal regulations requiring that a spark arrester be used on the engine of this machine, a spark arrester is available as an option. If you require a spark arrester, contact your Authorized Toro Service Dealer.

Genuine Toro spark arresters are approved by the USDA Forestry Service.

Important: It is a violation of California Public Resource Code Section 4442 to use or operate the engine on any forest-covered, brush-covered, or grass-covered land without a spark arrester muffler maintained in working order, or the engine constricted, equipped, and maintained for the prevention of fire. Other states or federal areas may have similar laws.

The enclosed *Engine Owner's Manual* is supplied for information regarding the US Environmental Protection Agency (EPA) and the California Emission Control Regulation of emission systems, maintenance, and warranty. Replacements may be ordered through the engine manufacturer.

Introduction

This machine is designed to grind and remove tree stumps and surface roots. It is not intended to cut rock or any other material other than wood and the soil around a stump.

Read this information carefully to learn how to operate and maintain your product properly and to avoid injury and product damage. You are responsible for operating the product properly and safely.

You may contact Toro directly at www.Toro.com for product and accessory information, help finding a dealer, or to register your product.

Whenever you need service, genuine Toro parts, or additional information, contact an Authorized Service Dealer or Toro Customer Service and have the model and serial numbers of your product ready. Figure 1 illustrates the location of the model and serial numbers on the product. Write the numbers in the space provided.

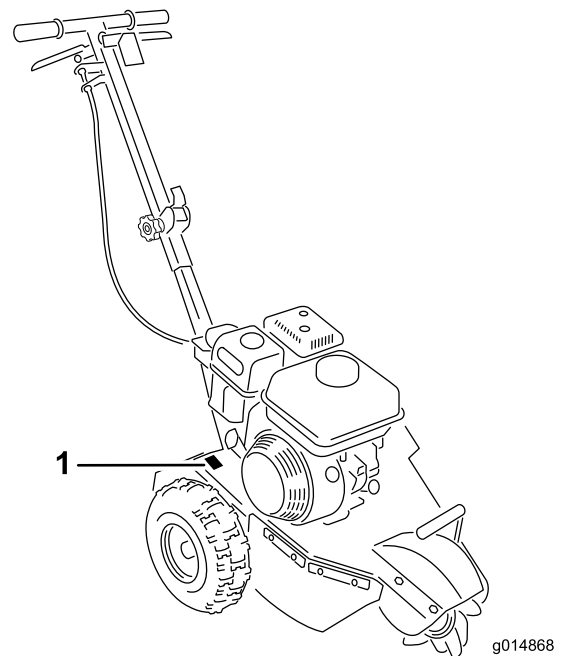


Figure 1

1. Model and serial number plate

Model No. _____

Serial No. _____

This manual identifies potential hazards and has safety messages identified by the safety alert symbol (Figure 2), which signals a hazard that may cause serious

injury or death if you do not follow the recommended precautions.



Figure 2

- 1. Safety alert symbol

This manual uses 2 other words to highlight information. **Important** calls attention to special mechanical information and **Note** emphasizes general information worthy of special attention.

Contents

Introduction..... 2
Safety 3
Safe Operating Practices 3
Safety and Instructional Decals 5
Product Overview 6
Controls 6
Specifications 8
Attachments/Accessories 8
Operation..... 9
Before you Start 9
Adding Fuel 9
Checking the Engine Oil Level..... 10
Starting and Stopping the Engine 11
Grinding a Stump 11
Maintenance..... 13
Recommended Maintenance Schedule(s) 13
Lubrication..... 13
Greasing the Machine..... 13
Engine Maintenance..... 14
Servicing the Air Cleaner 14
Servicing the Engine Oil 15
Servicing the Spark Plug 16
Belt Maintenance..... 17
Checking the Drive Belt Tension 17
Adjusting the Drive Belt 17
Grinder Maintenance..... 18
Checking the Cutting Wheel Blades 18
Replacing the Cutting Wheel Blades 18
Cleaning 19
Removing Debris from the Machine..... 19
Storage..... 20
Troubleshooting..... 21

Safety

Improper use or maintenance by the operator or owner can result in injury. To reduce the potential for injury, comply with these safety instructions and always pay attention to the safety alert symbol ▲, which means: Caution, Warning, or Danger—personal safety instruction. Failure to comply with the instruction may result in personal injury or death.

Safe Operating Practices

This product is capable of amputating hands and feet. Always follow all safety instructions to avoid serious injury or death.

▲ WARNING

Engine exhaust contains carbon monoxide, an odorless, deadly poison that can kill you.

Do not run the engine indoors or in an enclosed area.

Training

- Read the Operator's Manual and other training material. If the operator(s) or mechanic(s) can not read English, it is the owner's responsibility to explain this material to them.
Become familiar with the safe operation of the equipment, operator controls, and safety signs.
All operators and mechanics should be trained. The owner is responsible for training the users.
Never let children or untrained people operate or service the equipment. Local regulations may restrict the age of the operator.
The owner/user can prevent and is responsible for accidents or injuries occurring to himself or herself, other people or property.

Preparation

- Evaluate the terrain to determine what accessories and attachments are needed to properly and safely perform the job. Only use accessories and attachments approved by the manufacturer.
Wear appropriate clothing including hard hat, face shield, safety glasses, long pants, safety shoes, and hearing protection. Long hair, loose clothing or jewelry may get tangled in moving parts.
Inspect the area where the equipment is to be used and remove all objects such as rocks, toys, and wire which can be thrown by the machine.

- Use extra care when handling gasoline and other fuels. They are flammable and vapors are explosive.
 - Use only an approved container
 - Never remove the gas cap or add fuel with the engine running. Allow the engine to cool before refueling. Do not smoke.
 - Never refuel or drain the machine indoors.
- Check that the operator presence controls, safety switches, and shields are attached and functioning properly. Do not operate unless they are functioning properly.
- Check that the cutting wheel has stopped rotating when you reduce the throttle.
- Do not touch parts which may be hot from operation. Allow them to cool before attempting to maintain, adjust, or service.
- Ensure that you operate the machine in areas where there are no obstacles in close proximity to the operator. Failure to maintain adequate distance from trees, walls, and other barriers may result in injury as the machine backs up during operation if the operator is not attentive to the surroundings. Only operate the unit in areas where there is sufficient clearance for the operator to safely maneuver the product.
- Before grinding, have the area marked for underground utilities, and do not grind in marked areas.

Operation

- Never run an engine in an enclosed area.
- Only operate in good light, keeping away from holes and hidden hazards.
- Be sure all drives are in neutral before starting the engine. Only start the engine from the operator's position.
- Never operate with the guards not securely in place. Be sure all interlocks are attached, adjusted properly, and functioning properly.
- Do not change the engine governor setting or overspeed the engine.
- Stop on level ground, lower the grinder, and shut off the engine before leaving the operator's position for any reason.
- Keep hands and feet away from the moving grinder wheel and teeth.
- Look behind and down before backing up to be sure of a clear path.
- Keep pets and bystanders away.
- Do not operate the machine under the influence of alcohol or drugs.
- Use care when loading or unloading the machine into a trailer or truck.
- Ensure that the area is clear of other people before operating the machine. Stop the machine if anyone enters the area.
- Never leave a running machine unattended. Always stop the engine and verify the cutting wheels has stopped rotating.
- Never jerk the controls; use a steady motion.
- Watch for traffic when operating near or crossing roadways.

- Locate the pinch point areas marked on the machine and keep hands and feet away from these areas.
- Lightning can cause severe injury or death. If lightning is seen or thunder is heard in the area, do not operate the machine; seek shelter.

Maintenance and Storage

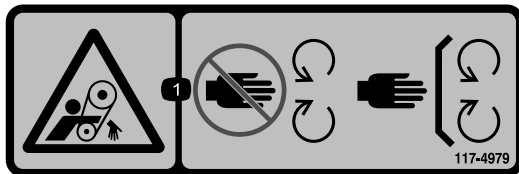
- Stop the engine. Wait for all movement to stop before adjusting, cleaning, or repairing.
- Clean debris from the grinder, drives, mufflers, and engine to help prevent fires. Clean up oil or fuel spillage.
- Let the engine cool before storing and do not store near flame.
- Do not store fuel near flames or drain indoors.
- Park the machine on level ground. Never allow untrained personnel to service the machine.
- Carefully release pressure from components with stored energy.
- Remove the spark plug wire before making any repairs.
- Keep hands and feet away from moving parts. If possible, do not make adjustments with the engine running.
- Keep all parts in good working condition and all hardware tightened. Replace all worn or damaged decals.
- Keep nuts and bolts tight. Keep equipment in good condition.
- Never tamper with safety devices.
- Keep the machine free of grass, leaves, or other debris build-up. Clean up oil or fuel spillage. Allow the machine to cool before storing.

- Use extra care when handling gasoline and other fuels. They are flammable and vapors are explosive.
 - Use only an approved container.
 - Never remove the gas cap or add fuel when the engine is running. Allow the engine to cool before refueling. Do not smoke.
 - Never refuel the machine indoors.
 - Never store the machine or fuel container inside where there is an open flame, such as near a water heater or furnace.
- Never fill a container while it is inside a vehicle, trunk, pick-up bed, or any surface other than the ground.
- Keep container nozzle in contact with the tank during filling.
- Stop and inspect the equipment if you strike an object. Make any necessary repairs before restarting.
- Use only genuine Toro replacement parts to ensure that original standards are maintained.

Safety and Instructional Decals



Safety decals and instructions are easily visible to the operator and are located near any area of potential danger. Replace any decal that is damaged or lost.

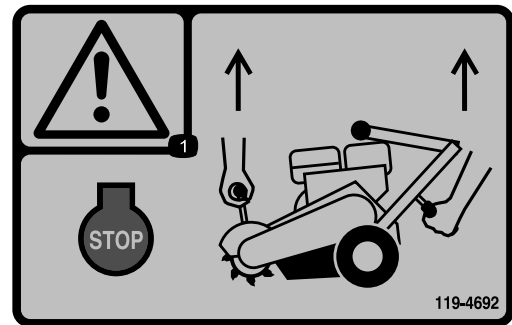


117-4979

1. Entanglement hazard, belt—stay away from moving parts, keep all guards and shields in place.

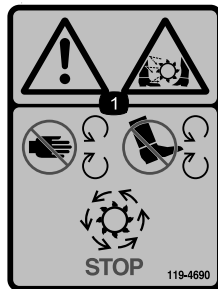


117-2718



119-4692

1. Warning—stop the engine; use both hand holds to lift the grinder.



119-4690

1. Warning; cutting/dismemberment hazard, grinding blade—keep hands and feet away from all moving parts, keep all shields in place; wait for all moving parts to stop.



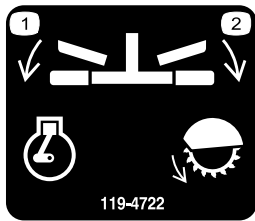
119-4691

1. Warning—read the *Operator's Manual*; wait for grinder blade to stop, stop the engine and fold the handle.



119-4693

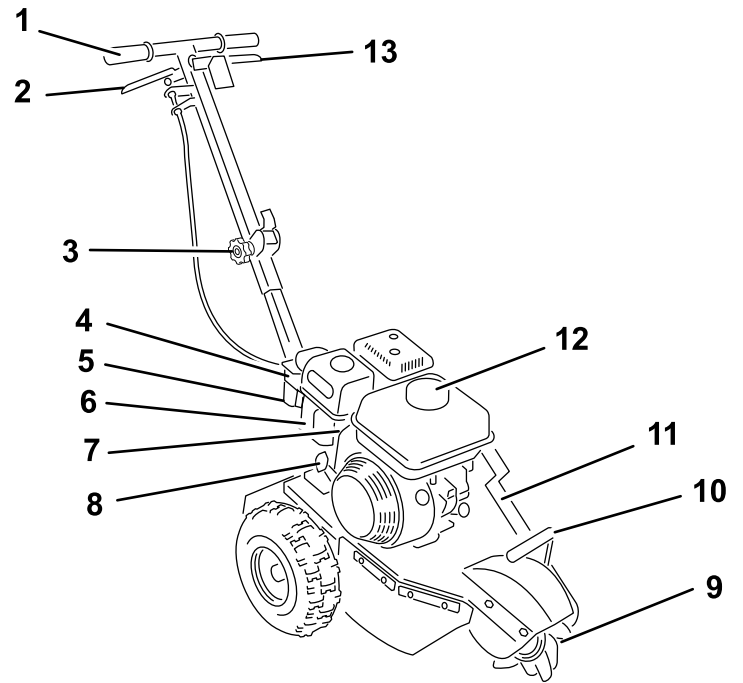
1. Thrown object hazard—keep bystanders a safe distance from the machine.



119-4722

1. Engine—run
2. Grinder blade—engage

Product Overview



g014869

Figure 3

- | | |
|------------------------|------------------|
| 1. Handle | 8. Starter |
| 2. Throttle lever | 9. Cutting wheel |
| 3. Handle release knob | 10. Lift |
| 4. Air filter | 11. Belt cover |
| 5. Sediment cup | 12. Fuel cap |
| 6. Fuel valve | 13. Safety bail |
| 7. Choke | |

Controls

Become familiar with all the controls (Figure 3 and Figure 6) before you start the engine and operate the machine.

Handle Release Knob

The handle on this machine has the capability to be folded down for easier transport. Unscrew the handle release knob from the machine (Figure 4).

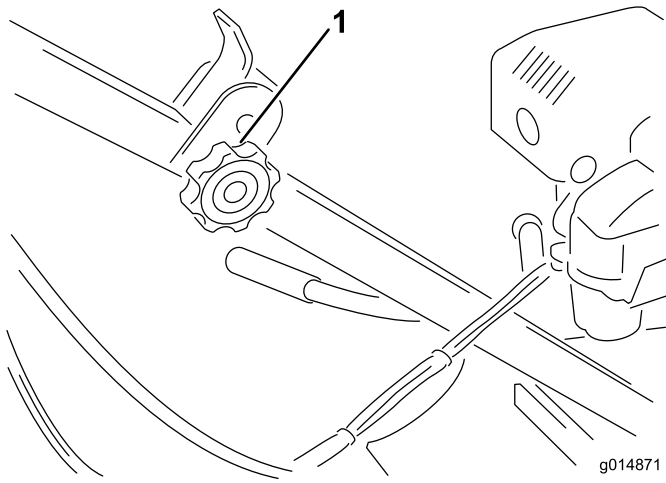


Figure 4

1. Handle Release Knob

Fold the handle down toward the machine and screw the handle back onto the machine (Figure 5).

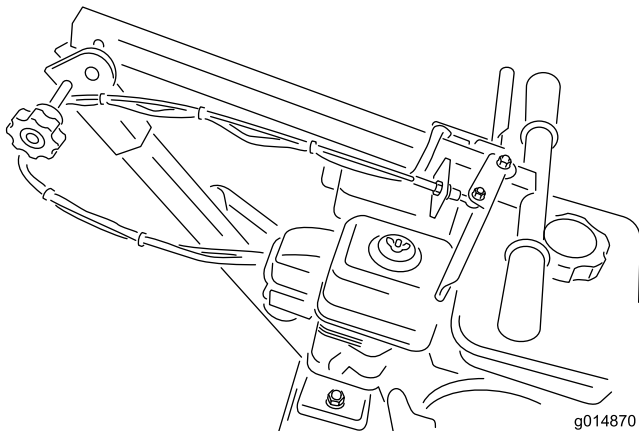


Figure 5

Throttle Lever and Safety Bail

The throttle lever controls engine speed. With the lever down, in the disengaged position, the engine runs at idle. This is also the starting position. When the throttle lever is squeezed the engine speed increases and the centrifugal clutch engages and the cutting wheel rotates.

The safety bail controls the engine running. Hold the safety bail against the handle to deactivate the engine kill switch so the engine will start. Releasing the bail stops the engine.

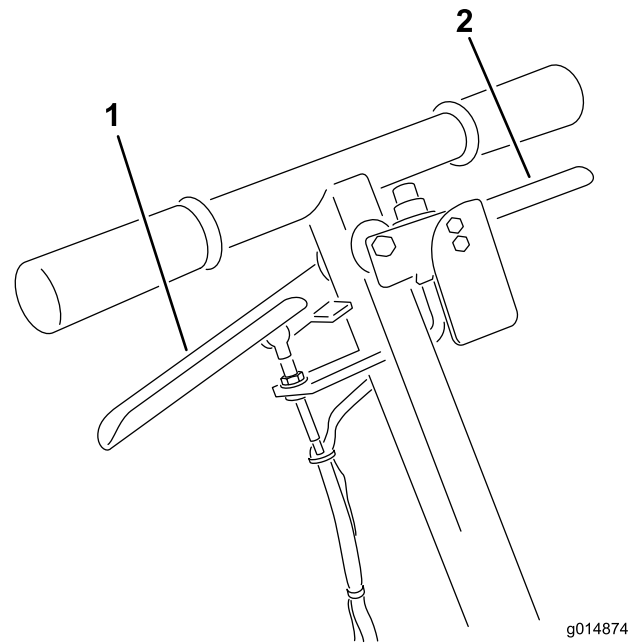


Figure 6

1. Throttle lever
2. Safety bail

Parking Brake

The parking brake holds the left wheel from turning to secure the machine and for easy movement of the machine from side to side when grinding the stump.

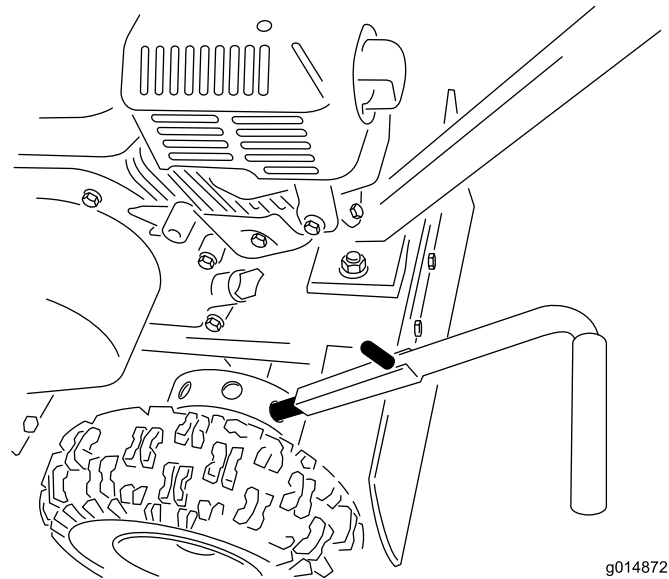


Figure 7

1. Engaged brake

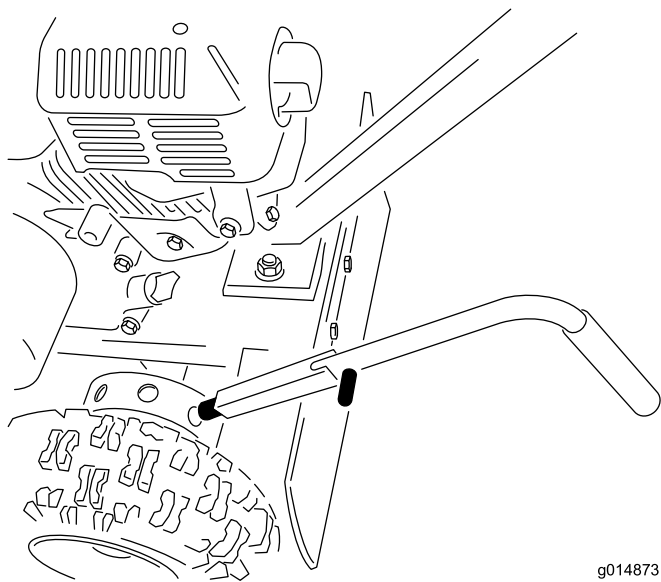


Figure 8

g014873

1. Disengaged Brake

Specifications

Note: Specifications and design are subject to change without notice.

Cutting Depth	Approx 12 inches (30.48 cm)
Length	50 inches (127 cm)
Width	22 inches (56 cm)
Height	42 inches (107 cm)
Weight	103 lbs (47 Kg)

Attachments/Accessories

A selection of Toro approved attachments and accessories are available for use with the machine to enhance and expand its capabilities. Contact your Authorized Service Dealer or Distributor or go to www.Toro.com for a list of all approved attachments and accessories.

Operation

Note: Determine the left and right sides of the machine from the normal operating position.

Important: Before operating, check the fuel and oil level, and remove debris from the machine. Also, ensure that the area is clear of people and debris. You should also know and have marked the locations of all utility lines.

Before you Start

- Dig away the earth and remove any stones near the tree stump that may interfere with your work. Check that the ground is free of foreign objects, such as electrical cables, barbed wire, etc.
- Cut or trim the stump using a power saw.
- Review all the machine's safety decals.
- Use a hard-hat, hearing, and eye protection. A mesh visor alone does not provide sufficient eye protection; supplement with protective glasses.
- Ensure that you are familiar with safety regulations and shutdown procedures described in the Operator's Manual.
- Ensure that all guards are in place and in good condition.
- Ensure that the blades and cutters are in place and in good condition.
- Ensure that the work area, cutter, and stump in particular are free from metallic objects such as wire, nails, etc. that could be thrown out and injure persons in the vicinity and damage the equipment.
- Ensure that everyone, including children and animals, maintain a distance of at least 50 feet (15 m) from the machine. Debris can be thrown out and injure people and animals.

Adding Fuel

Use unleaded gasoline (87 pump octane minimum). Leaded, regular gasoline may be used if unleaded is not available.

▲ DANGER

In certain conditions, gasoline is extremely flammable and highly explosive. A fire or explosion from gasoline can burn you and others and can damage property.

- Fill the fuel tank outdoors, in an open area, when the engine is cold. Wipe up any gasoline that spills.
- Never fill the fuel tank inside an enclosed trailer.
- Do not fill the fuel tank completely full. Add gasoline to the fuel tank until the level is 1/4 to 1/2 inch (6 to 13 mm) below the bottom of the filler neck. This empty space in the tank allows gasoline to expand.
- Never smoke when handling gasoline, and stay away from an open flame or where gasoline fumes may be ignited by a spark.
- Store gasoline in an approved container and keep it out of the reach of children. Never buy more than a 30-day supply of gasoline.
- Do not operate without entire exhaust system in place and in proper working condition.

▲ DANGER

In certain conditions during fueling, static electricity can be released causing a spark which can ignite the gasoline vapors. A fire or explosion from gasoline can burn you and others and can damage property.

- Always place gasoline containers on the ground away from your vehicle before filling.
- Do not fill gasoline containers inside a vehicle or on a truck or trailer bed because interior carpets or plastic truck bed liners may insulate the container and slow the loss of any static charge.
- When practical, remove gas-powered equipment from the truck or trailer and refuel the equipment with its wheels on the ground.
- If this is not possible, then refuel such equipment on a truck or trailer from a portable container, rather than from a gasoline dispenser nozzle.
- If a gasoline dispenser nozzle must be used, keep the nozzle in contact with the rim of the fuel tank or container opening at all times until fueling is complete.

Important: Do not use methanol, gasoline containing methanol, or gasohol containing more

than 10% ethanol because the fuel system could be damaged. Do not mix oil with gasoline.

Using Stabilizer/Conditioner

Use a fuel stabilizer/conditioner in the machine to provide the following benefits:

- Keeps gasoline fresh during storage of 90 days or less. For longer storage it is recommended that the fuel tank be drained.
- Cleans the engine while it runs.
- Eliminates gum-like varnish buildup in the fuel system, which causes hard starting.

Important: Do not use fuel additives containing methanol or ethanol.

Add the correct amount of gas stabilizer/conditioner to the gas.

Note: A fuel stabilizer/conditioner is most effective when mixed with fresh gasoline. To minimize the chance of varnish deposits in the fuel system, use fuel stabilizer at all times.

Filling the Fuel Tank

1. Park the machine on a level surface, lower the grinder, and stop the engine.
2. Allow the engine to cool.
3. Clean around the fuel tank cap and remove it (Figure 9).

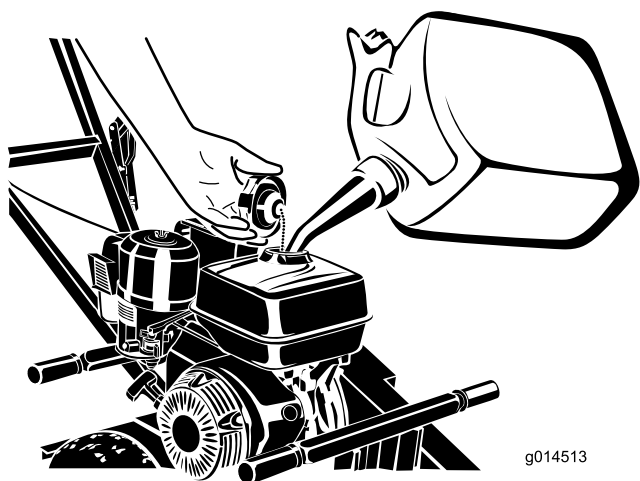


Figure 9

view may vary depending on model

1. Fuel tank cap

4. Add unleaded gasoline to the fuel tank, until the level is 1/4 to 1/2 inch below the bottom of the filler neck.

Important: This space in the tank allows gasoline to expand. Do not fill the fuel tank completely full.

5. Install the fuel tank cap securely.
6. Wipe up any gasoline that may have spilled.

Checking the Engine Oil Level

Service Interval: Before each use or daily

1. Tilt the machine so the engine is level, and stop the engine.
2. Allow the engine to cool.
3. Clean around the oil dipstick.
4. Remove the dipstick and wipe the end clean.
5. Slide the dipstick fully into the dipstick tube without threading it into the filler neck.
6. Pull the dipstick out and look at the end. The oil should be to the top of the upper limit range (Figure 10).

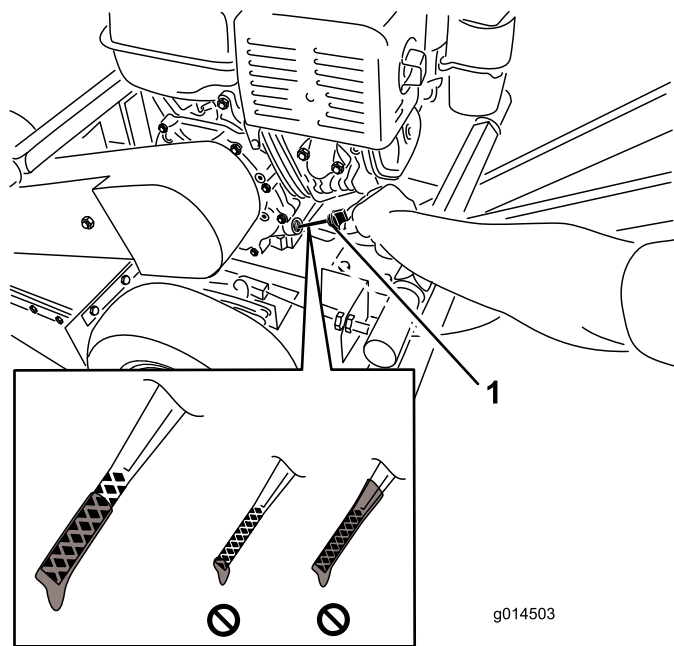


Figure 10

1. Oil dipstick

Important: Running the engine with low oil level can cause engine damage. This type of damage is not covered by warranty.

The engine is equipped with an oil alert system that will automatically stop the engine before the oil level falls below the safe limit.

7. If the oil level is low, slowly pour only enough oil into the crankcase to raise the level to the upper limit.

Important: Do not overfill the crankcase with oil because the engine may be damaged.

8. Replace the dipstick.

Starting and Stopping the Engine

Starting the Engine

1. Move the fuel valve to the Open position, all the way to the right.
2. Move the choke lever left to the On position if you are starting a cold engine.

Note: A warm or hot engine may not require choking.

3. Hold the safety bail against the handle and push the handle down enough to raise the cutting wheel off the ground.
4. Pull the starter handle lightly until you feel resistance, then pull the handle briskly. Return the starter handle gently.
5. After the engine starts, gradually move the choke lever back to the Off position. If the engine stalls or hesitates, move the choke back to On again until the engine warms up. Then move it to the Off position.
6. Hold the throttle lever against the handle to rotate the cutting wheel.

Stopping the Engine

1. Release your hand from the throttle lever.
Note: If the engine has been working hard or is hot, let it run for a minute before releasing the safety bail. This helps to cool the engine before stopping. In an emergency, the engine may be stopped immediately.
2. Release the safety bail to stop the engine.
3. Move the fuel valve to the Closed position, all the way to the left.

Grinding a Stump

Place the machine into position with the cutting wheel near the front-top edge of the stump.

▲ DANGER

The machine will cut and amputate hands and feet.

- Stay in the operator's position while the machine is running and keep away from the cutting wheel.
- Keep all bystanders a safe distance from the machine.
- Stop the machine immediately if any people or animals enter the work area.

▲ WARNING

Grinding a stump will throw wood chips, soil, and other debris into the air which could injure you or bystanders.

- Always wear eye protection when using the machine.
- Keep all bystanders a safe distance from the machine.

▲ WARNING

Always wear hearing protection when using the machine.

1. Release the throttle so that it is in disengaged position.
2. Start the engine; refer to Starting the Engine (page 11).
3. Allow engine to warm up at idle for two minutes.
4. Push the handle down enough to raise the cutting wheel off the ground.
5. Hold the throttle against the handle so that it is in engaged position, this will engage the centrifugal clutch and the cutting wheel rotates.
6. Move the machine to the front of the stump and set the parking brake.
7. Swing the cutting wheel to one side, then lower it approximately 1/2 inch to 1 inch into the front-top corner of the stump. Swing the cutting wheel back and forth, lowering the cutting wheel approximately 1/2 inch to 1 inch before each sweep, until you have removed the front portion of the stump to ground level (Figure 11).

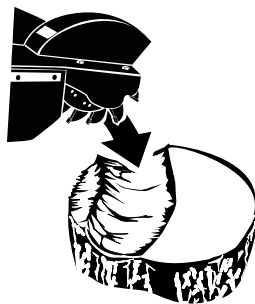
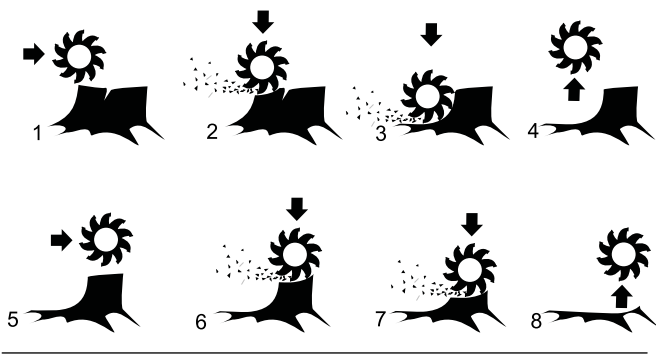


Figure 11

Note: Do Not let the front of the unit touch the ground until you are sure the cutting wheel has stopped turning.

⚠ DANGER

A rotating cutting wheel is very dangerous and can cut and amputate hands and feet.

Stay at the operating position and be sure that the cutting wheel has come to a complete stop before doing anything else.

8. Raise the cutting wheel until center of cutting wheel is just above top of the stump.
9. With the cutting wheel off to one side, release the parking brake and advance the machine forward, reset the parking brake.
10. Continue sweeping and cutting wheel left and right across stump, advancing the machine before each sweep, cutting 1/2 inch to 1 inch depth of cut with each sweep.
11. Continue cutting until the top level of stump is all removed, making sure not to cut stump deeper than ground level during this first stage.
12. Release the throttle so that it is in disengaged position, push the handle down enough to raise the cutting wheel off the ground. Wait ten seconds for the cutting wheel to stop rotating then release the brake and pull the machine away from the stump.
13. Pull the machine away from the stump and rake the chips away from the stump.
14. Move the machine to the front of the stump and set the parking brake.
15. Hold the throttle against the handle so that it is in engaged position, this will engage the centrifugal clutch and the cutting wheel rotates.
16. Continue cutting until by repeating step 10 again and again until the level of stump is deeper than ground level as desired.
17. Stop the machine; refer to Stopping the Engine (page 11).

Maintenance

Note: Determine the left and right sides of the machine from the normal operating position.

Important: The machine may be tipped backward or on its side to facilitate access for cleaning or service, but no longer than 2 minutes. If the machine is held in this position for too long, the engine can be damaged by gasoline draining into

the crankcase. Should this happen, perform an extra oil change on the engine. Then turn the engine over a few revolutions with the starter handle before starting the engine again.

Recommended Maintenance Schedule(s)

Maintenance Service Interval	Maintenance Procedure
After the first 25 hours	<ul style="list-style-type: none"> • Change the oil.
Before each use or daily	<ul style="list-style-type: none"> • Check the engine oil level. • Grease the machine. • Check the air filter. • Check the cutting wheel blades. • Remove debris from the machine.
Every 25 hours	<ul style="list-style-type: none"> • Check the drive belt tension.
Every 50 hours	<ul style="list-style-type: none"> • Service the air filter.
Every 100 hours	<ul style="list-style-type: none"> • Change the oil. • Clean the sediment cup. • Check the spark plugs.
Every 200 hours	<ul style="list-style-type: none"> • Replace the air filter.
Yearly or before storage	<ul style="list-style-type: none"> • Change the oil. • Clean the sediment cup.

Important: Refer to your *Engine Operator's Manual* for additional maintenance procedures.

Lubrication

Greasing the Machine

Service Interval: Before each use or daily

Grease Type: General-purpose grease.

1. Clean the grease fittings with a rag.
2. Connect a grease gun to each fitting.
3. Lubricate two fittings, one on each cutting wheel bearing.

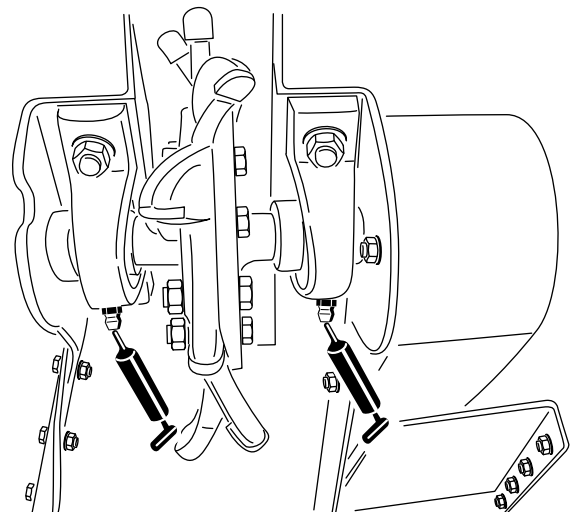


Figure 12

4. Pump grease into the fittings until grease begins to ooze out of the bearings (approximately 3 pumps).
5. Wipe up any excess grease.

Important: Pump grease in slowly and carefully to prevent damage to the bearing seals.

Engine Maintenance

Servicing the Air Cleaner

Service Interval: Before each use or daily

The cyclone air filter collects the largest contaminant particles, which collect in the container. When you can see a layer of dirt at the bottom of the container, clean the cyclone housing, air channels, and air intake screen.

Servicing the Cyclone Air Filter

Service Interval: Every 50 hours

1. Remove the 3 screws holding the cyclone housing.
2. Remove the housing with the air intake screen and remove the air channels.

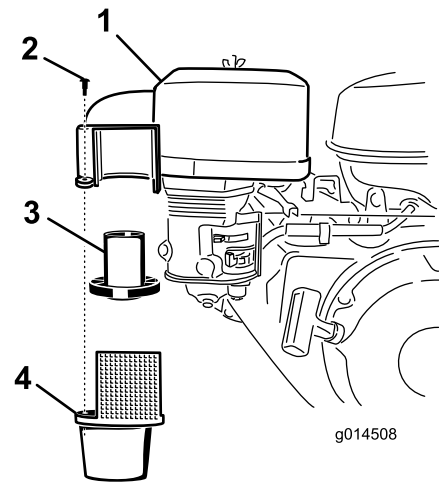


Figure 13

- | | |
|--------------------|---|
| 1. Cyclone housing | 3. Air channels |
| 2. Screw | 4. Cyclone housing with air intake screen |

Note: The air channels may remain in the upper portion or follow along with the housing when removed.

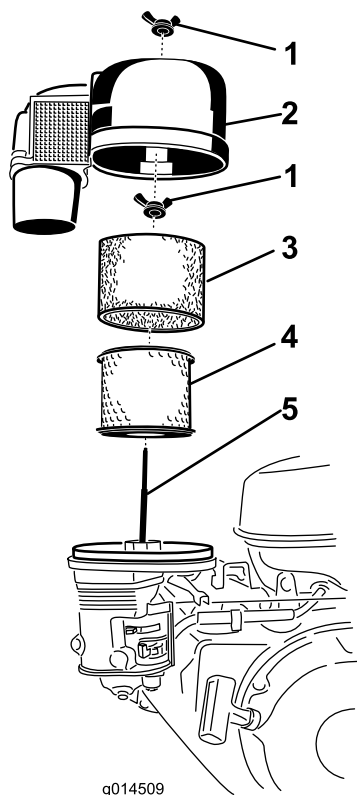
3. Clean the components. Use water, detergent and a brush. Dry carefully.
4. Place the air channels in the cyclone housing.
5. Insert cyclone housing into position and make sure it fits in the upper portion. **Do not** use force; align it in place before fitting the screws.

Replacing the Air Filter

Service Interval: Every 200 hours

If the engine is low on power, produces black smoke or runs unevenly, the air filter may be clogged.

1. Remove the wing nut and lift off the cyclone filter with the air filter cowling (Figure 14).



g014509

Figure 14

- | | |
|-----------------------|---------------|
| 1. Wing nut | 4. Air filter |
| 2. Cyclone air filter | 5. Stud |
| 3. Foam pre-filter | |

2. Remove the foam pre-filter and clean it as follows
 - A. Wash the pre-filter using a mild detergent and water.
 - B. Squeeze it dry with a clean cloth.
 - C. Soak it with new engine oil.
 - D. Gently wind the filter in an absorbent cloth and squeeze out excess oil.
3. Remove the wing nut on top of the air filter and remove the paper filter.
4. Tap the paper filter against a fixed surface to remove dust. If the paper filter is still dirty or damaged, replace it. The paper filter should be replaced every 200 hours.

Important: Do not use compressed air to blow out the paper element, this can damage it.

5. Mount the paper filter in the air filter housing and secure it with the wing nut.
6. Position the foam pre-filter over the paper filter.
7. Install the cyclone filter with the air filter cover and secure it with the wing nut.

Servicing the Engine Oil

Note: Change the oil more frequently when the operating conditions are extremely dusty or sandy.

Oil Type: Detergent oil with an API service of SJ or higher.

Crankcase Capacity: .63 qt (.6 liters)

Viscosity: SAE 10W-30 is recommended for general use.

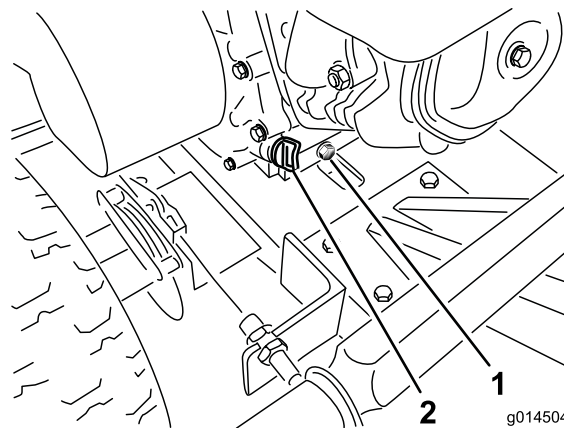
Changing the Engine Oil

Service Interval: After the first 25 hours

Every 100 hours

Yearly or before storage

1. Start the engine and let it run five minutes. This warms the oil so it drains better.
2. Park the machine so that the drain side is slightly lower than the opposite side to ensure that the oil drains completely.
3. Set the parking brake and stop the engine.
4. Place a pan under the oil drain hole.
5. Remove the drain plug and drain the oil through the hole slot in the frame (Figure 15).



g014504

Figure 15

1. Oil drain hole
2. Oil fill cap

6. When the oil has drained completely, install the plug and wipe up any spilled oil.

Note: Dispose of the used oil at a certified recycling center.

7. Remove the oil fill cap and slowly pour approximately 80 percent of the specified amount of oil into the engine (Figure 15).
8. Slowly add additional oil to bring the oil level to the upper limit mark on the dipstick. Refer to (page).
9. Install the oil fill cap.

Cleaning the Sediment Cup

Service Interval: Every 100 hours
Yearly or before storage

Underneath the fuel valve is a sediment cup to catch dirt in the fuel.

1. Move the fuel valve to the Off position, all the way to the left.
2. Unscrew the sediment cup. Make sure not to misplace the o-ring (Figure 16).

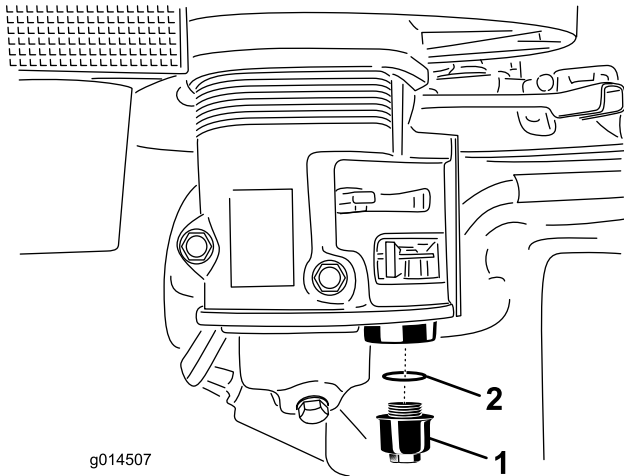


Figure 16

1. Sediment cup
2. O-Ring

3. Clean the reservoir and the o-ring using a cleaning solvent and dry carefully.

Note: Make sure not to misplace the o-ring.

4. Put the o-ring in place in the groove of the cup and replace the sediment cup.
5. Turn the fuel valve to the On position, all the way to the right, and check for leaks. If it leaks, replace the o-ring.

Servicing the Spark Plug

Service Interval: Every 100 hours—Check the spark plugs.

Ensure that the air gap between the center and side electrodes is correct before installing the spark plug. Use a spark plug wrench for removing and installing the spark plug and a gapping tool/feeler gauge to check and adjust the air gap. Install a new spark plug if necessary.

Type: BPR6ES (NGK) or equivalent

Air Gap: 0.28–0.031 inch (0.70-0.80 mm)

Removing the Spark Plug

1. Lower the grinder and stop the machine; Refer to Stopping the Engine (page 11).
2. Pull the wire off of the spark plug (Figure 17).

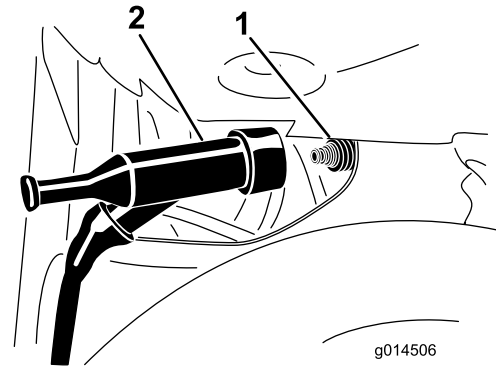


Figure 17

1. Spark plug
2. Wire

3. Clean around the spark plug.
4. Remove the spark plug and the metal washer.

Checking the Spark Plug

1. Look at the center of the spark plug (Figure 18). If you see light brown or gray on the insulator, the engine is operating properly. A black coating on the insulator usually means that the air cleaner is dirty.

Important: Never Clean the spark plug. Always replace the spark plug when it has a black coating, worn electrodes, an oily film, or cracks.

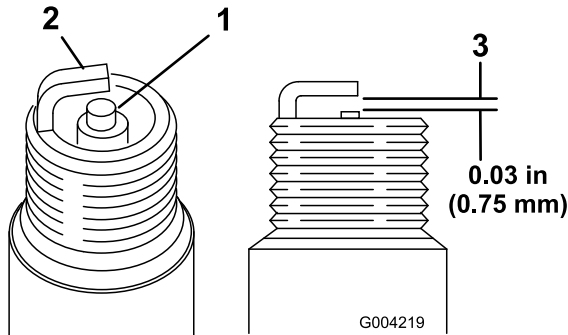


Figure 18

1. Center electrode insulator
2. Side electrode
3. Air gap (not to scale)

2. Check the gap between the center and side electrodes (Figure 18). Bend the side electrode (Figure 18) if the gap is not correct.

Installing the Spark Plug

1. Thread the spark plug into the spark plug hole.
2. Tighten the spark plug to 20 ft-lb (27 N-m).
3. Push the wire onto the spark plug.

Belt Maintenance

Checking the Drive Belt Tension

Service Interval: Every 25 hours

Note: Replace the belt if it shows any signs of wear, cracks, or damage.

1. Shut off the engine and wait for all rotating parts to stop.
2. Remove belt guard retaining screws (Figure 19).

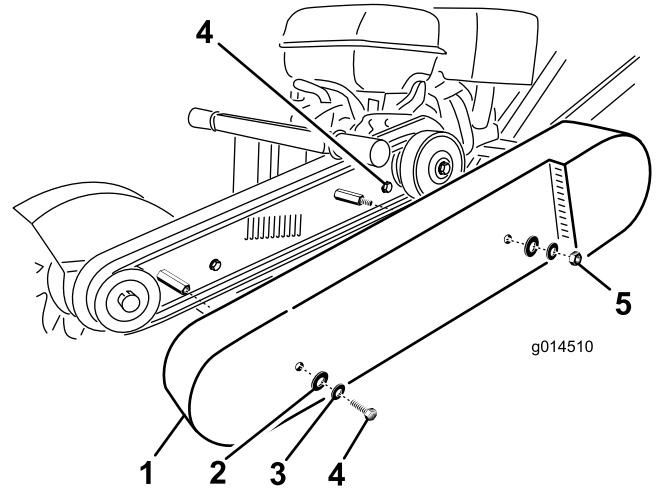


Figure 19

view may vary depending on model

1. Belt guard
2. Lock washer
3. Washer
4. Bolt
5. Nut

3. To check belt tension, gently squeeze the belt spans together. You should be able to push the belt down about 1/4–3/8 inch (6–10mm) from the original position.

Important: To extend the belt life, proper tension must be maintained. A loose belt will cause excessive cutting wheel slippage and early belt failure. A belt that is too tight can cause bearing and shaft failure, and rapid belt wear.

Adjusting the Drive Belt

1. Remove the belt guard.
2. Loosen the 4 engine mounting bolts, and jam nuts holding the adjustment bolt (Figure 20).

Grinder Maintenance

Checking the Cutting Wheel Blades

Service Interval: Before each use or daily

Among the most critical elements of the machine is the cutting wheel blades. They are also the most subject to damage and wear. In the course of grinding stumps they not only make contact with the wood, but they also encounter numerous abrasives and objects, such as dirt, stones, and occasionally a large rock or buried scrap.

The wear and loss of cutting teeth can significantly impair the efficiency and performance of the machine. Therefore, it is important to make frequent checks of the condition of all of the cutting teeth and replace any damaged or worn blade sections (Figure 21).

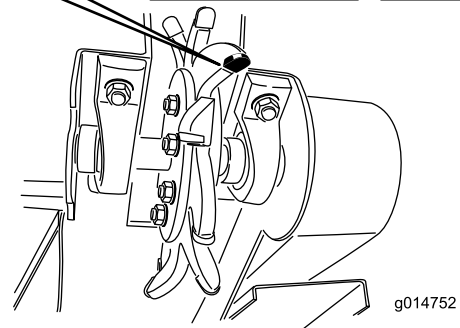
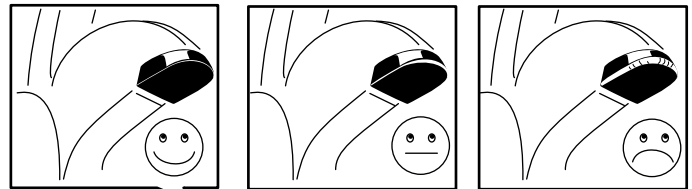


Figure 21

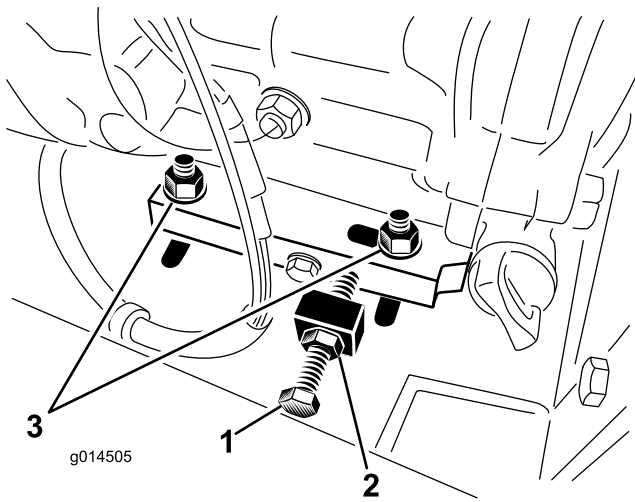


Figure 20

1. Bolt
2. Jam Nut
3. Engine mount bolt

3. Turn square head adjusting bolt on the frame clockwise to tighten the belt, counter clockwise to loosen the belt

Important: Important: Make sure to tighten all the engine bolts after proper belt adjustment is achieved.

4. Install the belt guard and secure with previously removed hardware.

Replacing the Cutting Wheel Blades

1. Clean all dirt from the cutting wheel and mounting flanges.
2. Remove the two bolts that hold each cutting blade section. Use care not to let a section drop and chip when they become loose (Figure 22).

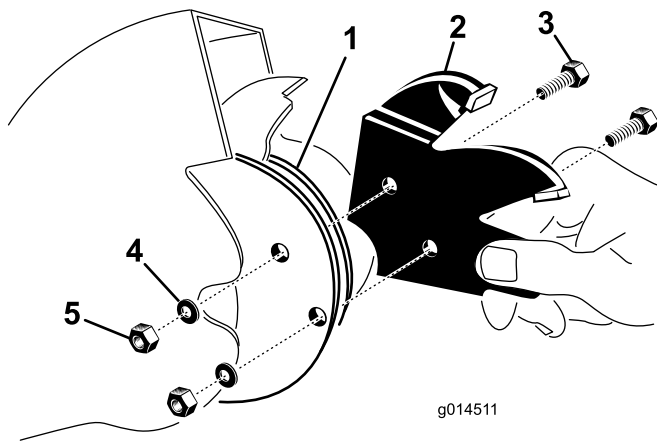


Figure 22

Cleaning

Removing Debris from the Machine

Regular cleaning and washing will increase the life span of the machine. Clean the machine directly after use, before the dirt hardens.

Check before cleaning that the fuel tank cap is properly in place to avoid getting water in the tank.

Use care when using a high-pressure sprayer because it can damage warning decals, instruction signs, and the engine

Important: Lubricate the cutting wheel blade bearings after cleaning.

3. Check each section for cracks. Replace a blade section if it is cracked or has missing or worn teeth.

Note: When replacing cutting wheel blade sections, make sure blade section is placed in correct alignment with blade rotation.

4. Insert the blade section between the blade mounting flanges (Figure 22), and secure them with 2 bolts, lockwashers, and nuts.
5. Torque the fasteners to 27–33 ft-lb (37–45 N-m).

Storage

For storage over 30 days, prepare the unit as follows:

1. Remove dirt and grime from the external parts of the entire unit, especially the engine. Clean dirt and sawdust chips from the outside of the engine cylinder head fins and blower housing.

Important: You can wash the unit with mild detergent and water.

2. Add a petroleum based stabilizer/conditioner to fuel in the tank. Follow mixing instructions from stabilizer manufacturer. (1 oz. per US gallon). **Do not** use an alcohol based stabilizer (ethanol or methanol).

Note: Fuel stabilizer/conditioner is most effective when mixed with fresh gasoline and used at all times.

Important: Do not store stabilizer/conditioned gasoline over 90 days.

3. Run the engine to distribute conditioned fuel through the fuel system (5 minutes).
4. Stop the engine, allow it to cool, and drain the fuel tank using a pump type siphon. Dispose of fuel properly; recycle as per local codes.
5. Start the engine and run it until it stops.
6. Choke the engine.
7. Start and run the engine until it will not start again.
8. Clean the sediment cup; refer to Cleaning the Sediment Cup (page 16).
9. Service the air cleaner; refer to Servicing the Cyclone Air Filter (page 14) and, Replacing the Air Filter (page 14).
10. Change the engine crankcase oil; refer to (page).
11. Remove the spark plug and check the condition; refer to (page).
12. With the spark plug removed from the engine, pour two tablespoons of engine oil into the spark plug hole.
13. Pull the starter slowly to crank the engine and distribute the oil inside the cylinder.
14. Install the spark plug, but do not install the wire on the spark plug.
15. Grease the cutter wheel bearings; refer to Greasing the Machine (page 13).
16. Check and tighten all bolts, nuts, and screws. Repair or replace any part that is damaged.

17. Paint all scratched or bare metal surfaces. Paint is available from your Authorized Service Dealer.
18. Store the unit in a clean, dry garage or storage area.
19. Cover the unit to protect it and keep it clean.

Troubleshooting

Problem	Possible Cause	Corrective Action
The engine will not start.	<ol style="list-style-type: none"> 1. The engine switch is in the Off position. 2. The fuel shutoff valve is closed. 3. The choke is open. 4. The fuel tank is empty. 5. The spark plug wire is loose or disconnected. 	<ol style="list-style-type: none"> 1. Hold the safety bail against the handle. 2. Open the fuel valve. 3. Close the choke when starting a cold engine. 4. Fill tank with fresh fuel. 5. Check the electrode gap and clean or replace the spark plug.
The engine runs rough.	<ol style="list-style-type: none"> 1. The choke is left on. 2. The air filter is clogged. 3. The fuel line is clogged. 4. There is water or contaminants in the fuel. 5. The spark plugs are worn or have buildup on the electrodes. 	<ol style="list-style-type: none"> 1. Open the choke. 2. Clean or replace the air filter. 3. Clean the sediment cup. 4. Drain and fill the tank with fresh fuel. 5. Check electrode gap and clean or replace the spark plug.
The belt slips or comes off the pulleys	<ol style="list-style-type: none"> 1. The belt tension is insufficient. 	<ol style="list-style-type: none"> 1. Adjust the belt tension. Reduce the cutting depth.
The cutting wheel does not rotate.	<ol style="list-style-type: none"> 1. The engine speed is insufficient to activate the centrifugal clutch. 2. The belt tension is insufficient. 3. The clutch shoes are worn. 	<ol style="list-style-type: none"> 1. Move the throttle to the Engaged position. 2. Adjust the belt tension. 3. Replace the clutch.
The cutting wheel continues to rotate.	<ol style="list-style-type: none"> 1. The engine speed is excessive. 2. The belt is off of the pulleys or broken. 3. Clutch springs are weak or broken. 	<ol style="list-style-type: none"> 1. Move the throttle to the Disengaged position. 2. Replace the drive belt. 3. Replace the clutch.

Notes:

Notes:



Toro Compact Utility Equipment Warranty

A One-Year Limited Warranty

CUE Products

Conditions and Products Covered

The Toro® Company and its affiliate, Toro Warranty Company, pursuant to an agreement between them, jointly warrant your Toro Compact Utility Equipment ("Product") to be free from defects in materials or workmanship. The following time periods apply from the date of purchase:

Products	Warranty Period
Loaders, Trenchers, Stump Grinders, Chippers, Log Splitters and Attachments Kohler Engines	1 year or 1000 operating hours, whichever occurs first
Kohler Engines	3 years
All other Engines	2 years

Where a warrantable condition exists, we will repair the Product at no cost to you including diagnosis, labor, and parts.

Instructions for Obtaining Warranty Service

If you think that your Toro Product contains a defect in materials or workmanship, follow this procedure:

1. Contact any Authorized Toro Compact Utility Equipment (CUE) Service Dealer to arrange service at their dealership. To locate a dealer convenient to you, access our website at www.Toro.com. You may also call our Toro Customer Care Department toll free at 888-865-5676 (U.S. customers) or 888-865-5691 (Canadian customers).
2. Bring the product and your proof of purchase (sales receipt) to the Service Dealer.
3. If for any reason you are dissatisfied with the Service Dealer's analysis or with the assistance provided, contact us at:

LCB Customer Care Department
 Toro Warranty Company
 8111 Lyndale Avenue South
 Bloomington, MN 55420-1196
 Toll Free: 888-865-5676 (U.S. customers)
 Toll Free: 888-865-5691 (Canada customers)

Owner Responsibilities

You must maintain your Toro Product by following the maintenance procedures described in the *Operator's Manual*. Such routine maintenance, whether performed by a dealer or by you, is at your expense. Parts scheduled for replacement as required maintenance ("Maintenance Parts"), are warranted for the period of time up to the scheduled replacement time for that part. Failure to perform required maintenance and adjustments can be grounds for disallowing a warranty claim.

Items and Conditions Not Covered

Not all product failures or malfunctions that occur during the warranty period are defects in materials or workmanship. This express warranty does not cover the following:

- Product failures which result from the use of non-Toro replacement parts, or from installation and use of add-on, modified, or unapproved accessories
- Product failures which result from failure to perform required maintenance and/or adjustments
- Product failures which result from operating the Product in an abusive, negligent or reckless manner
- Parts subject to consumption through use unless found to be defective. Examples of parts which are consumed, or used up, during normal Product operation include, but are not limited to, teeth, tines, blades, spark plugs, tires, tracks, filters, chains, etc.
- Failures caused by outside influence. Items considered to be outside influence include, but are not limited to, weather, storage practices, contamination, use of unapproved coolants, lubricants, additives, or chemicals, etc.
- Normal "wear and tear" items. Normal "wear and tear" includes, but is not limited to, worn painted surfaces, scratched decals or windows, etc.
- Any component covered by a separate manufacturer's warranty
- Pickup and delivery charges

General Conditions

Repair by an Authorized Toro Compact Utility Equipment (CUE) Service Dealer is your sole remedy under this warranty.

Neither The Toro® Company nor Toro Warranty Company is liable for indirect, incidental or consequential damages in connection with the use of the Toro Products covered by this warranty, including any cost or expense of providing substitute equipment or service during reasonable periods of malfunction or non-use pending completion of repairs under this warranty. All implied warranties of merchantability and fitness for use are limited to the duration of this express warranty. Some states do not allow exclusions of incidental or consequential damages, or limitations on how long an implied warranty lasts, so the above exclusions and limitations may not apply to you.

This warranty gives you specific legal rights, and you may also have other rights which vary from state to state.

Except for the engine warranty coverage and the Emissions warranty referenced below, if applicable, there is no other express warranty. The Emissions Control System on your Product may be covered by a separate warranty meeting requirements established by the U.S. Environmental Protection Agency (EPA) or the California Air Resources Board (CARB). The hour limitations set forth above do not apply to the Emissions Control System Warranty. Refer to the California Emission Control Warranty Statement supplied with your Product or contained in the engine manufacturer's documentation for details.

Countries Other than the United States or Canada

Customers who have purchased Toro products exported from the United States or Canada should contact their Toro Distributor (Dealer) to obtain guarantee policies for your country, province, or state. If for any reason you are dissatisfied with your Distributor's service or have difficulty obtaining guarantee information, contact the Toro importer. If all other remedies fail, you may contact us at Toro Warranty Company.

ADVERTENCIA

CALIFORNIA

Advertencia de la Propuesta 65

Los gases de escape de este producto contienen productos químicos que el Estado de California sabe que causan cáncer, defectos congénitos u otros peligros para la reproducción.

▲ PELIGRO

Puede haber tendidos eléctricos, de gas y/o telefónicos enterrados en la zona de trabajo. Si se perforan, pueden causar descargas eléctricas o explosiones.

Marque las áreas de la zona de trabajo que contienen tendidos enterrados, y no excave en las zonas marcadas. Póngase en contacto con su servicio de marcado local o con su compañía de electricidad/agua, etc., para que marquen la finca (por ejemplo, en los Estados Unidos, llame al 811 para contactar con el servicio de marcado nacional).

Este sistema de encendido por chispa cumple la norma canadiense ICES-002.

Puesto que en algunas zonas existen normas locales, estatales o federales que requieren el uso de un parachispas en el motor de esta máquina, está disponible un parachispas como opción. Si usted desea adquirir un parachispas, póngase en contacto con su Distribuidor Autorizado Toro.

Los parachispas Toro genuinos están homologados por el USDA Forestry Service (Servicio Forestal del Departamento de Agricultura de EE.UU.).

Importante: El uso o la operación del motor en cualquier terreno forestal, de monte o cubierto de hierba con el motor obstruido o sin silenciador con parachispas mantenido en buenas condiciones de funcionamiento, equipado y mantenido para la prevención de incendios, constituye una infracción de la legislación de California (California Public Resource Code Section 4442). Otros estados o zonas federales pueden tener una legislación similar.

El *Manual del propietario del motor* adjunto ofrece información sobre las normas de la U.S. Environmental Protection Agency (EPA) y de la California Emission Control Regulation sobre sistemas de emisiones, mantenimiento y garantía. Puede solicitarse un manual nuevo al fabricante del motor.

Introducción

Esta máquina está diseñada para desbastar y eliminar tocones de árboles y raíces superficiales. No está diseñada para cortar rocas u otros materiales que no sean la madera y la tierra que hay alrededor de un tocón.

Lea este manual detenidamente para aprender a utilizar y mantener correctamente su producto, y para evitar lesiones y daños al producto. Usted es el responsable de utilizar el producto de forma correcta y segura.

Usted puede ponerse en contacto directamente con Toro en www.Toro.com si desea información sobre productos y accesorios, o si necesita localizar un distribuidor o registrar su producto.

Cuando necesite asistencia técnica, piezas genuinas Toro o información adicional, póngase en contacto con un Servicio Técnico Autorizado o con Asistencia al Cliente Toro, y tenga a mano los números de modelo y serie de su producto. Figura 1 indica la ubicación de los números de modelo y serie en el producto. Escriba los números en el espacio provisto.

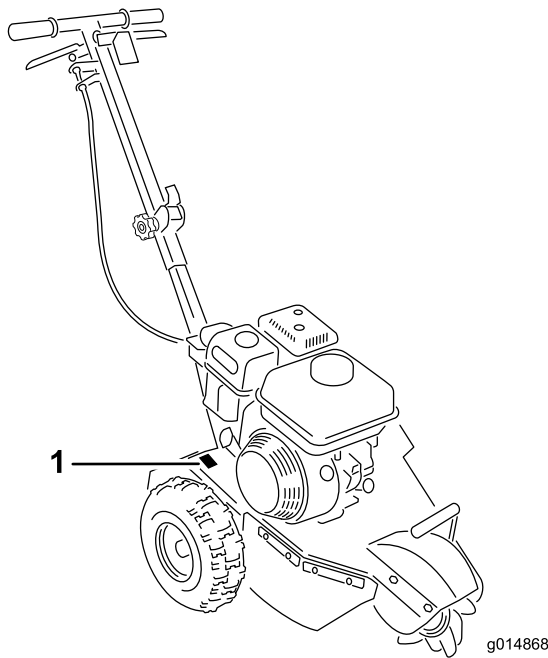


Figura 1

1. Placa con los números de modelo y de serie

Nº de modelo _____
Nº de serie _____

Este manual identifica peligros potenciales y contiene mensajes de seguridad identificados por el símbolo de alerta de seguridad (Figura 2), que señala un peligro que puede causar lesiones graves o la muerte si usted no sigue las precauciones recomendadas.



Figura 2

1. Símbolo de alerta de seguridad

Este manual utiliza 2 palabras más para resaltar información. **Importante** llama la atención sobre información mecánica especial, y **Nota** resalta información general que merece una atención especial.

Contenido

Introducción	2
Seguridad	4
Prácticas de operación segura.....	4
Pegatinas de seguridad e instrucciones.....	6
El producto.....	7

Controles	7
Especificaciones	9
Accesorios.....	9
Operación	9
Antes de empezar	9
Cómo añadir combustible.....	9
Verificación del nivel de aceite del motor	11
Arranque y parada del motor.....	11
Cómo desbastar un tocón	12
Mantenimiento.....	14
Calendario recomendado de mantenimiento.....	14
Lubricación	14
Engrasado de la máquina	14
Mantenimiento del motor.....	15
Mantenimiento del limpiador de aire	15
Mantenimiento del aceite de motor	16
Mantenimiento de la bujía.....	17
Mantenimiento de las correas.....	19
Comprobación de la tensión de la correa de transmisión	19
Ajuste de la correa de transmisión	19
Mantenimiento del desbastador	20
Comprobación de las cuchillas de la rueda de corte.....	20
Sustitución de las cuchillas de la rueda de corte.....	20
Limpieza	21
Cómo limpiar la máquina	21
Almacenamiento	21
.....	21
Solución de problemas	23

Seguridad

El uso o mantenimiento indebido por parte del operador o el propietario puede causar lesiones. Para reducir el peligro de lesiones, cumpla estas instrucciones de seguridad y preste atención siempre al símbolo de alerta de seguridad **▲**, que significa: *Cuidado, Advertencia o Peligro* – instrucción relativa a la seguridad personal. El incumplimiento de estas instrucciones puede dar lugar a lesiones personales e incluso la muerte.

Prácticas de operación segura

Este producto es capaz de amputar manos y pies. Siga siempre todas las instrucciones de seguridad con el fin de evitar lesiones corporales graves e incluso la muerte.

▲ ADVERTENCIA

Los gases de escape del motor contienen monóxido de carbono, que es un veneno inodoro que puede matarle.

No haga funcionar el motor dentro de un edificio o en un lugar cerrado.

Formación

- Lea el *Manual del operador* y otros materiales de formación. Si el o los operadores o mecánicos no saben leer el español, es responsabilidad del propietario explicarles este material.
- Familiarícese con la operación segura del equipo, los controles del operador y las señales de seguridad.
- Todos los operadores y mecánicos deben recibir una formación adecuada. El propietario es responsable de proporcionar formación a los usuarios.
- No deje nunca que el equipo sea utilizado o mantenido por niños o por personas que no hayan recibido la formación adecuada al respecto. La normativa local puede imponer límites sobre la edad del operador.
- El propietario/usuario puede prevenir, y es responsable de, los accidentes o lesiones sufridos por él mismo, o por otras personas o bienes.

Preparación

- Evalúe el terreno para determinar los accesorios y aperos necesarios para realizar el trabajo de manera correcta y segura. Utilice solamente los accesorios y aperos homologados por el fabricante.
- Lleve ropa adecuada, incluyendo casco, pantalla facial, gafas de seguridad, pantalón largo, calzado de

seguridad y protección auditiva. El pelo largo y las prendas o joyas sueltas pueden enredarse en piezas en movimiento.

- Inspeccione el área donde se va a utilizar el equipo y retire todos los objetos, como por ejemplo piedras, juguetes y alambres, que puedan ser arrojados por la máquina.
- Extreme las precauciones cuando maneje gasolina y otros combustibles. Son inflamables y sus vapores son explosivos.
 - Utilice solamente un recipiente homologado.
 - Nunca retire el tapón de combustible ni añada combustible con el motor en marcha. Deje que se enfríe el motor antes de repostar combustible. No fume.
 - No añada ni drene nunca el combustible dentro de un edificio.
- Compruebe que los controles de presencia del operador, los interruptores de seguridad y los protectores de seguridad están instalados y que funcionan correctamente. No utilice la máquina si no funcionan correctamente.
- Compruebe que la rueda de corte ha dejado de girar al reducir la velocidad.

Operación

- No haga funcionar nunca el motor en un lugar cerrado.
- Utilice el equipo únicamente con buena luz, alejándose de agujeros y peligros ocultos.
- Asegúrese de que todas las transmisiones están en punto muerto antes de arrancar el motor. Arranque el motor sólo desde la posición del operador.
- No utilice el equipo nunca si no están colocados firmemente los protectores de seguridad. Asegúrese de que todos los interruptores de seguridad están conectados, correctamente ajustados y que funcionan correctamente.
- No cambie los ajustes del regulador del motor ni haga funcionar el motor a una velocidad excesiva.
- Pare en un terreno llano, baje el desbastador y pare el motor antes de abandonar el puesto del operador por cualquier razón.
- Mantenga las manos y los pies alejados de la rueda y los dientes del desbastador cuando están en movimiento.
- Mire hacia atrás y hacia abajo antes de poner marcha atrás para asegurarse de que el camino está despejado.

- Mantenga alejadas a otras personas y a animales domésticos.
- No utilice la máquina bajo la influencia de alcohol o drogas.
- Tenga cuidado al cargar o descargar la máquina en/desde un remolque o un camión.
- Asegúrese de que no hay otras personas en la zona antes de poner en marcha la máquina. Pare la máquina si alguien entra en la zona.
- No deje nunca desatendida la máquina si está en marcha. Siempre pare el motor y compruebe que las ruedas de corte han dejado de girar.
- Nunca mueva bruscamente los controles; utilice movimientos suaves y continuos.
- Vigile el tráfico cuando esté cerca de una calle o carretera o cuando cruce una.
- No toque piezas que pueden estar calientes después de estar en funcionamiento. Deje que se enfríen antes de realizar cualquier operación de mantenimiento, ajuste o revisión.
- Asegúrese de utilizar la máquina en zonas en las que no haya obstáculos próximos al operador. Si no se mantiene a una distancia apropiada de árboles, paredes, muros y otras barreras, puede dar lugar a lesiones durante la operación de la máquina en marcha atrás, si el operador no está atento a lo que le rodea. Sólo utilice la unidad en áreas en las que hay suficiente espacio para que el operador maniobre el producto con seguridad.
- Antes de desbastar, haga que se señale cualquier conducción subterránea (gas, agua, etc.) de la zona y no desbaste en las zonas marcadas.
- Localice las zonas peligrosas señaladas en la máquina, y mantenga alejados los pies y las manos de estas zonas.
- Los rayos pueden causar graves lesiones o incluso la muerte. Si se ven relámpagos o rayos, o se oyen truenos en la zona, no utilice la máquina; busque un lugar donde resguardarse.
- No almacene el combustible cerca de una llama, y no lo drene dentro de un edificio.
- Aparque la máquina en una superficie nivelada. No permita jamás que la máquina sea revisada o reparada por personal no debidamente formado.
- Alivie con cuidado la tensión de aquellos componentes que tengan energía almacenada.
- Retire el cable de la bujía antes de efectuar reparación alguna.
- Mantenga las manos y los pies alejados de las piezas en movimiento. Si es posible, no haga ajustes mientras el motor está funcionando.
- Mantenga todas las piezas en buenas condiciones de funcionamiento, y todos los herrajes bien apretados. Sustituya cualquier pegatina desgastada o deteriorada.
- Mantenga apretados los pernos y las tuercas. Mantenga el equipo en buenas condiciones de funcionamiento.
- No manipule nunca los dispositivos de seguridad.
- Mantenga la máquina libre de acumulaciones de hierba, hojas y otros residuos. Limpie cualquier aceite o combustible derramado. Deje que se enfríe la máquina antes de almacenarla.
- Extreme las precauciones cuando maneje gasolina y otros combustibles. Son inflamables y sus vapores son explosivos.
 - Utilice solamente un recipiente homologado
 - No retire nunca el tapón de combustible ni añada combustible con el motor en marcha. Deje que se enfríe el motor antes de repostar combustible. No fume.
 - No reposte nunca la máquina en un recinto cerrado.
 - No guarde nunca la máquina o un recipiente de combustible dentro de un edificio cerca de una llama desnuda, por ejemplo, cerca de un calentador de agua o una caldera.
 - No llene nunca un recipiente con el recipiente dentro de un vehículo, maletero, la caja de una camioneta ni ninguna otra superficie que no sea el suelo.
 - Mantenga la boquilla del recipiente en contacto con el depósito durante el repostaje.
- Pare e inspeccione el equipo si golpea un objeto. Haga cualquier reparación necesaria antes de volver a arrancar.
- Utilice solamente piezas de repuesto genuinas Toro para asegurar que se mantengan los niveles de calidad originales.

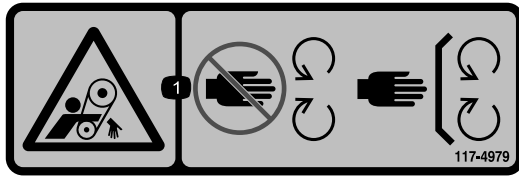
Mantenimiento y almacenamiento

- Pare el motor. Deje que se detenga todo movimiento antes de ajustar, limpiar o reparar.
- Limpie cualquier residuo del desbastador, las transmisiones, los silenciadores y el motor para ayudar a prevenir incendios. Limpie cualquier aceite o combustible derramado.
- Espere a que se enfríe el motor antes de guardar el cortacésped, y no lo guarde cerca de una llama.

Pegatinas de seguridad e instrucciones

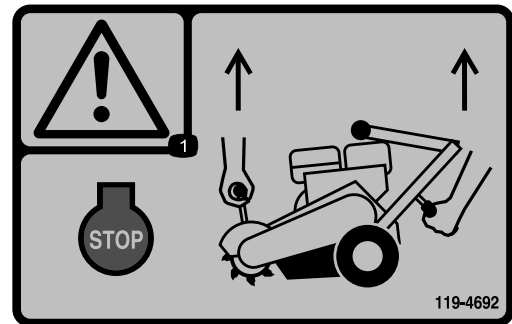


Las pegatinas de seguridad e instrucciones están a la vista del operador y están ubicadas cerca de cualquier zona de peligro potencial. Sustituya cualquier pegatina que esté dañada o que falte.



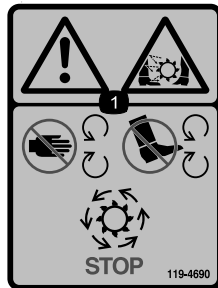
117-4979

1. Peligro de enredamiento, correa – no se acerque a las piezas en movimiento; mantenga colocados todos los protectores.



119-4692

1. Advertencia—pare el motor; utilice ambos agarraderos para levantar el desbastador.



119-4690

1. Advertencia: peligro de corte/desmembramiento, cuchilla del desbastador—mantenga las manos y los pies alejados de todas las piezas en movimiento; mantenga colocados todos los protectores; espere a que se detengan todas las piezas en movimiento.



119-4693

1. Peligro de objetos arrojados—mantenga a otras personas a una distancia prudencial de la máquina.

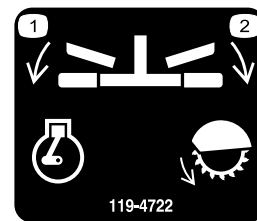


119-4691

1. Advertencia—lea el *Manual del operador*; espere a que se detenga la cuchilla del desbastador, pare el motor y pliegue el manillar.

CALIFORNIA SPARK ARRESTER WARNING
 Operation of this equipment may create sparks that can start fires around dry vegetation. A spark arrester may be required. The operator should contact local fire agencies for laws or regulations relating to fire prevention requirements. 117-2718

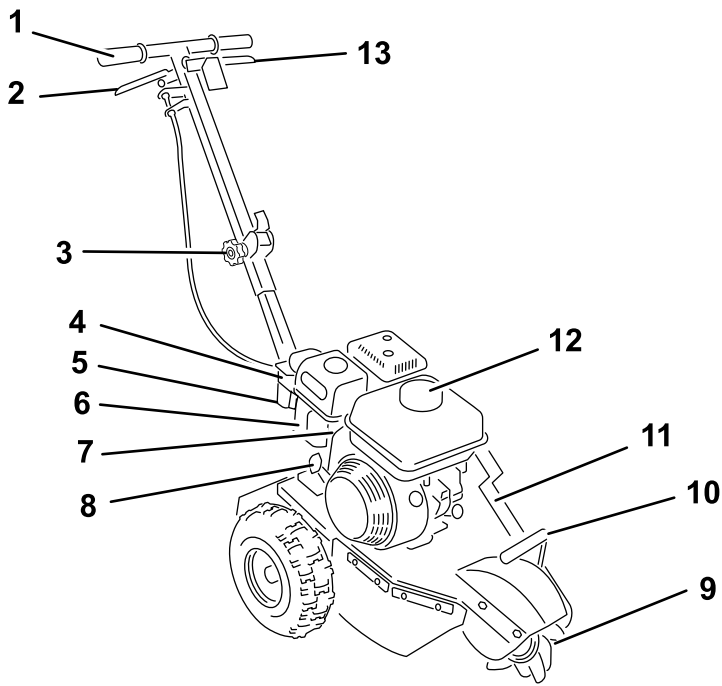
117-2718



119-4722

1. Motor—marcha
2. Cuchilla del desbastador—engranar

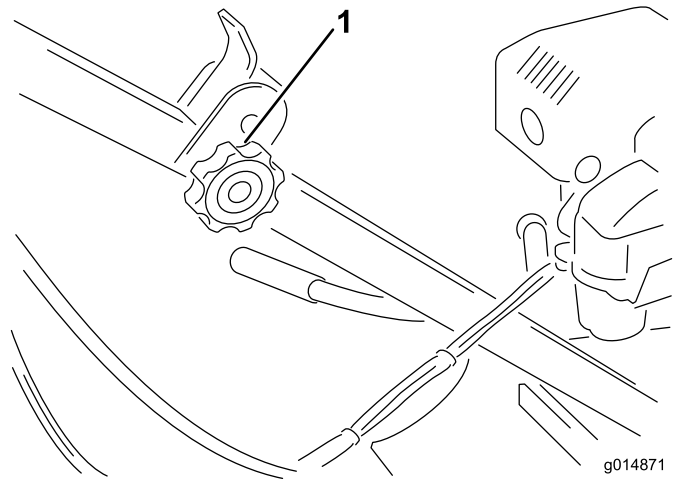
El producto



g014869

Figura 3

- | | |
|------------------------------------|---------------------------|
| 1. Manillar | 8. Arrancador |
| 2. Palanca del acelerador | 9. Rueda de corte |
| 3. Pomo de desbloqueo del manillar | 10. Elevación |
| 4. Filtro de aire | 11. Cubierta de la correa |
| 5. Taza de sedimentos | 12. Tapón de combustible |
| 6. Válvula de combustible | 13. Barra de seguridad |
| 7. Estárter | |

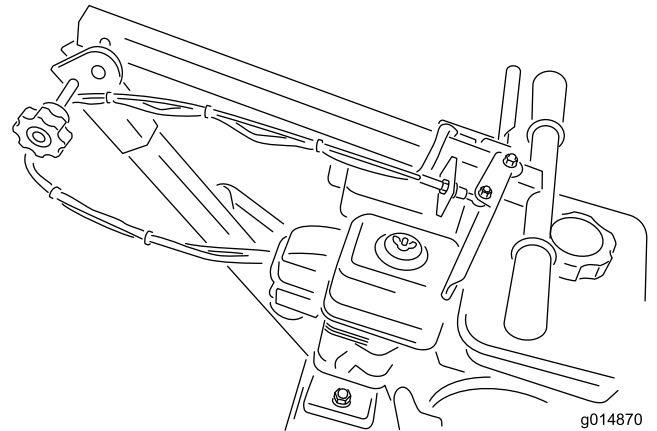


g014871

Figura 4

1. Pomo de desbloqueo del manillar

Pliegue el manillar hacia la máquina y vuelva a enroscar el pomo en la máquina (Figura 5).



g014870

Figura 5

Controles

Antes de poner en marcha el motor y trabajar con la máquina, familiarícese con todos los controles (Figura 3 y Figura 6).

Pomo de desbloqueo del manillar

El manillar de esta máquina puede plegarse para facilitar el transporte. Desenrosque el pomo de desbloqueo del manillar de la máquina (Figura 4).

Palanca del acelerador y barra de seguridad

La palanca del acelerador controla la velocidad del motor. Con la palanca hacia abajo, en la posición de Desengranado, el motor funciona a velocidad de ralentí. Ésta es también la posición de arranque. Al apretar la palanca del acelerador, la velocidad del motor aumenta, se engrana el embrague centrífugo y la rueda de corte gira.

La barra de seguridad controla el funcionamiento del motor. Sujete la barra de seguridad contra el manillar para desactivar el interruptor de parada del motor y poder arrancar el motor. Si usted suelta la barra, el motor se para.

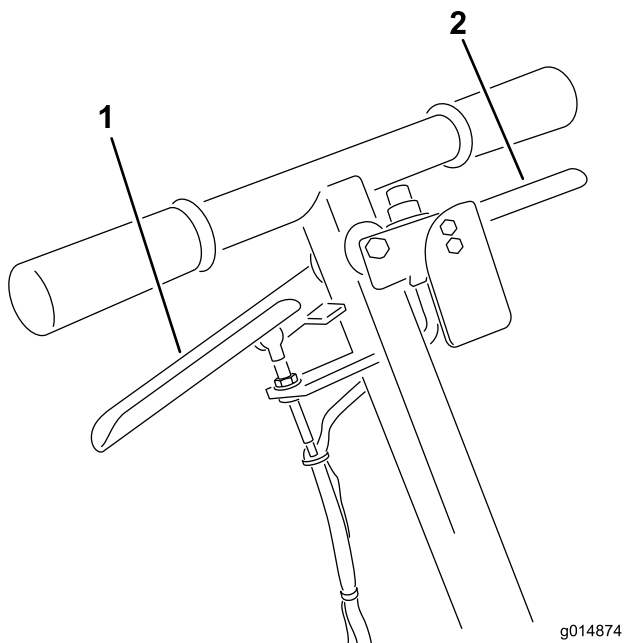


Figura 6

g014874

1. Palanca del acelerador 2. Barra de seguridad

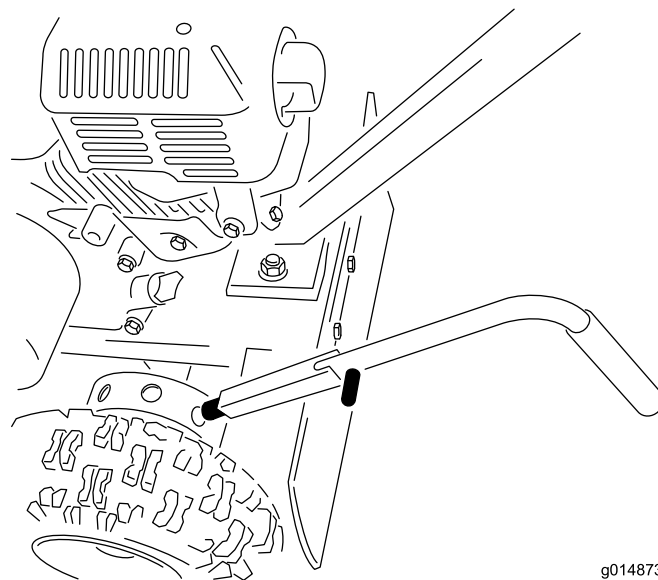


Figura 8

g014873

1. Freno quitado

Freno de estacionamiento

El freno de estacionamiento impide que gire la rueda izquierda para inmovilizar la máquina, y facilita el desplazamiento de la máquina de un lado a otro mientras se desbasta el tocón.

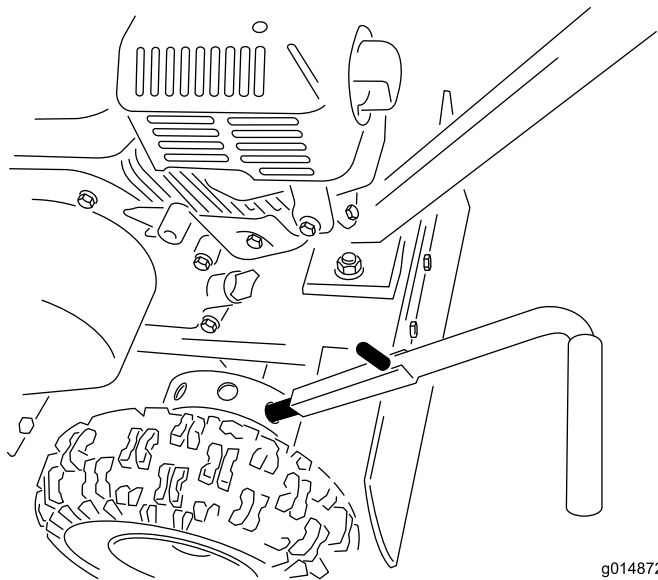


Figura 7

g014872

1. Freno puesto

Especificaciones

Nota: Especificaciones y diseño sujetos a modificación sin previo aviso.

Profundidad de corte	Aproximadamente 12 pulgadas (30,48 cm)
Longitud	127 cm (50 pulgadas)
Anchura	56 cm (22 pulgadas)
Altura	107 cm (42 pulgadas)
Peso	103 libras (47 kg)

Accesorios

Está disponible una selección de accesorios homologados por Toro que se pueden utilizar con la máquina a fin de potenciar y aumentar sus prestaciones. Póngase en contacto con su Distribuidor Autorizado Toro o visite www.Toro.com para obtener una lista de todos los accesorios homologados.

Operación

Nota: Los lados derecho e izquierdo de la máquina se determinan desde la posición normal del operador.

Importante: Antes del uso, compruebe el nivel de gasolina y de aceite, y retire cualquier residuo de la máquina. Asegúrese también de que no hay otras personas o residuos en la zona. Usted también debe conocer y haber señalado la posición de cualquier conducción subterránea.

Antes de empezar

- Excave la tierra y retire cualquier piedra de las proximidades del tocón que pueda interferir con su trabajo. Compruebe que el terreno está libre de objetos extraños, tales como cables eléctricos, alambre de espinas, etc.
- Tale o recorte el tocón usando una sierra mecánica.
- Revise todas las pegatinas de seguridad de la máquina.
- Utilice un casco, y protección auditiva y ocular. Una pantalla de malla por sí sola no proporciona protección ocular suficiente; utilice gafas protectoras también.
- Asegúrese de que está familiarizado con las normas de seguridad y los procedimientos de parada descritos en el Manual del operador.
- Asegúrese de que todos los protectores están colocados y en buen estado de funcionamiento.
- Compruebe que las cuchillas y los dientes de corte están colocados y en buenas condiciones de funcionamiento.
- Asegúrese de que la zona de trabajo, el cortador y el tocón en particular están libres de objetos metálicos, como por ejemplo alambres o clavos, etc., que podrían ser arrojados y lesionar a cualquier persona que esté cerca, o dañar el equipo.
- Asegúrese de que no hay nadie, incluyendo niños y animales, en un radio de al menos 50 pies (15 m) de la máquina. La máquina puede arrojar residuos que podrían lesionar a otras personas y animales.

Cómo añadir combustible

Utilice gasolina sin plomo (87 octanos mínimo) Se puede utilizar gasolina normal con plomo si no hubiera gasolina sin plomo disponible.

⚠ PELIGRO

En ciertas condiciones la gasolina es extremadamente inflamable y altamente explosiva. Un incendio o una explosión provocados por la gasolina puede causarle quemaduras a usted y a otras personas así como daños materiales.

- Llene el depósito de combustible en el exterior, en una zona abierta y con el motor frío. Limpie la gasolina derramada.
- No llene nunca el depósito de combustible dentro de un remolque cerrado.
- No llene completamente el depósito de combustible. Añada gasolina al depósito de combustible hasta que el nivel esté entre 6 y 13 mm (1/4 - 1/2 pulg.) por debajo del extremo inferior del cuello de llenado. Este espacio vacío en el depósito permitirá la dilatación de la gasolina.
- No fume nunca mientras maneja gasolina y manténgase alejado de llamas desnudas o de lugares donde una chispa pudiera inflamar los vapores de gasolina.
- Almacene la gasolina en un recipiente homologado y manténgala fuera del alcance de los niños. No compre nunca gasolina para más de 30 días de consumo normal.
- No utilice la máquina a menos que esté instalado un sistema completo de escape en buenas condiciones de funcionamiento.

⚠ PELIGRO

En determinadas condiciones durante el repostaje, puede tener lugar una descarga de electricidad estática, produciendo una chispa que puede prender los vapores de la gasolina. Un incendio o una explosión provocados por la gasolina puede causarle quemaduras a usted y a otras personas así como daños materiales.

- Coloque siempre los recipientes de gasolina en el suelo, lejos del vehículo que está repostando.
- No llene los recipientes de gasolina dentro de un vehículo, camión o remolque ya que las alfombras o los revestimientos de plástico del interior de los remolques podrían aislar el recipiente y retrasar la pérdida de la carga estática.
- Cuando sea posible, retire el equipo a repostar del camión o remolque y reposte con las ruedas del equipo sobre el suelo.
- Si esto no es posible, reposte el equipo sobre el camión o remolque desde un recipiente portátil, en vez de usar un surtidor de gasolina.
- Si es imprescindible el uso de un surtidor, mantenga la boquilla en contacto con el borde del depósito de combustible o la abertura del recipiente en todo momento hasta que termine de repostar.

Importante: No use metanol, gasolina que contenga metanol o gasohol con más del 10% etanol porque se podrían producir daños en el sistema de combustible del motor. No mezcle aceite con la gasolina.

Uso del estabilizador/acondicionador

Use un estabilizador/acondicionador en la máquina para conseguir los beneficios siguientes:

- Mantiene la gasolina fresca durante un período de almacenamiento de 90 días o menos. Para un almacenamiento más largo, se recomienda drenar el depósito de combustible.
- Limpia el motor durante el funcionamiento;
- Elimina la acumulación de depósitos pegajosos, con aspecto de barniz, del sistema de combustible, que pueden dificultar el arranque.

Importante: No utilice aditivos de combustible que contengan metanol o etanol.

Agregue la cantidad adecuada de estabilizador/acondicionador a la gasolina.

Nota: Un estabilizador/acondicionador de combustible es más eficaz cuando se mezcla con gasolina fresca. Para reducir al mínimo los depósitos de barniz en el sistema de combustible, utilice siempre un estabilizador de combustible.

Cómo llenar el depósito de combustible

1. Aparque la máquina en una superficie nivelada, baje el desbastador y pare el motor.
2. Deje que el motor se enfríe.
3. Limpie alrededor del tapón del depósito de combustible y retire el tapón (Figura 9).

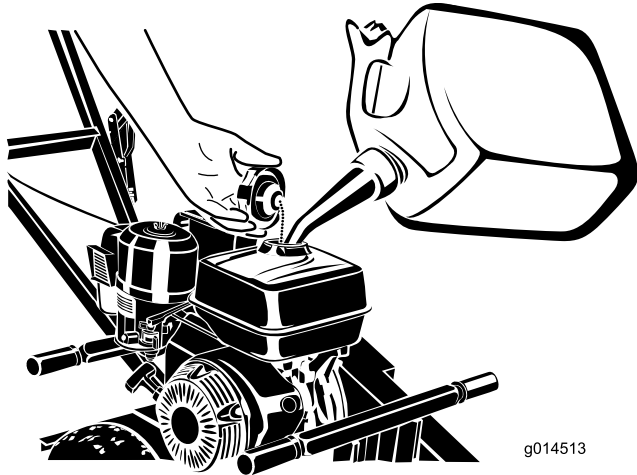


Figura 9

los detalles pueden variar dependiendo del modelo

1. Tapón del depósito de combustible
-
4. Añada gasolina sin plomo al depósito de combustible hasta que el nivel esté entre (1/4 y 1/2 pulgada) por debajo del extremo inferior del cuello de llenado.

Importante: Este espacio vacío permitirá la dilatación de la gasolina. No llene completamente el depósito de combustible.

5. Coloque el tapón del depósito de combustible firmemente.
6. Limpie la gasolina derramada.

Verificación del nivel de aceite del motor

Intervalo de mantenimiento: Cada vez que se utilice o diariamente

1. Inclíne la máquina de manera que el motor esté nivelado, y pare el motor.
2. Deje que el motor se enfríe.

3. Limpie alrededor de la varilla de aceite.
4. Retire la varilla de aceite y limpie el extremo.
5. Introduzca la varilla a fondo en el tubo de la varilla sin enroscarla en el cuello de llenado.
6. Retire la varilla y observe el extremo. El aceite debe llegar al límite superior (Figura 10).

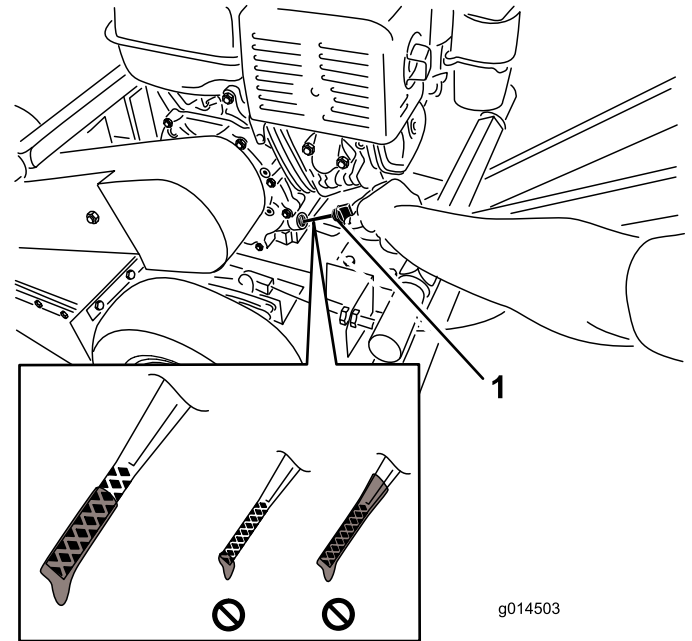


Figura 10

1. Varilla de aceite

Importante: Si se pone en marcha el motor con un nivel bajo de aceite, puede dañarse el motor. Este tipo de daño no está cubierto por la garantía.

El motor incorpora un sistema de alerta de aceite que para el motor antes de que el nivel de aceite descienda por debajo del límite de seguridad.

7. Si el nivel de aceite es bajo, vierta lentamente en el cárter sólo la cantidad de aceite suficiente para que el nivel llegue al límite superior.

Importante: No llene excesivamente el cárter de aceite ya que podría dañar el motor.

8. Vuelva a colocar la varilla.

Arranque y parada del motor

Cómo arrancar el motor

1. Mueva la válvula de combustible a la posición de Abierto, totalmente hacia la derecha.
2. Mueva la palanca del estárter hacia la izquierda a la posición de Activado si el motor está frío.

Nota: Si el motor está caliente, puede no ser necesario usar el estárter.

3. Sujete la barra de seguridad contra el manillar, y empuje el manillar hacia abajo para levantar la rueda de corte del suelo.
4. Tire del arrancador suavemente hasta que note resistencia, luego tire con fuerza. Deje que el arrancador vuelva lentamente a su posición inicial.
5. Cuando el motor arranque, mueva la palanca del estárter poco a poco a la posición de Desactivado. Si el motor se cala o funciona de forma irregular, mueva el estárter de nuevo a Activado hasta que el motor se caliente. Luego muévelo a la posición de Desconectado.
6. Sujete la palanca del acelerador contra el manillar para hacer girar la rueda de corte.

Cómo parar el motor

1. Quite la mano de la palanca del acelerador.

Nota: Si el motor ha estado trabajando duro o está muy caliente, déjelo funcionar durante un minuto antes de soltar la barra de seguridad. Esto ayuda a enfriar el motor antes de pararlo. En una emergencia, se puede parar el motor inmediatamente.

2. Suelte la barra de seguridad para parar el motor.
3. Mueva la válvula de combustible a la posición de Cerrado, totalmente hacia la izquierda.

Cómo desbastar un tocón

Ponga la máquina en posición con la rueda de corte cerca del borde delantero superior del tocón.

⚠ PELIGRO

La máquina puede cortar y amputar las manos y los pies.

- Permanezca en el puesto del operador cuando la máquina está en marcha, y no se acerque a la rueda de corte.
- Mantenga a otras personas a una distancia prudencial de la máquina.
- Pare la máquina inmediatamente si entran otras personas o animales en la zona de trabajo.

⚠ ADVERTENCIA

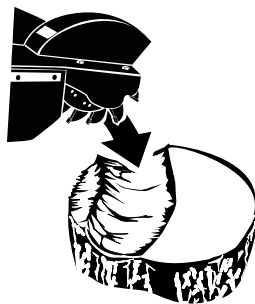
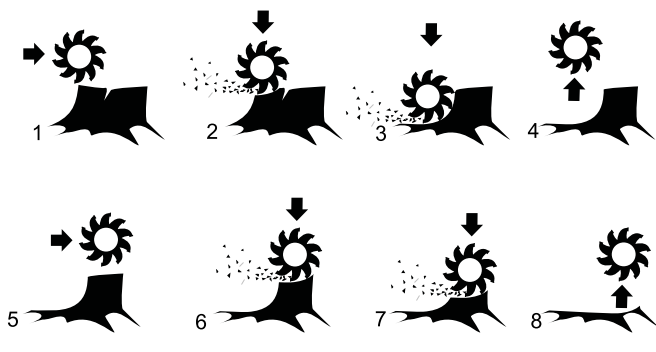
Al desbastar un tocón, la máquina lanza virutas de madera, tierra y otros residuos al aire, y éstos podrían causarle lesiones a usted o a otras personas.

- Utilice siempre protección ocular mientras utiliza la máquina.
- Mantenga a otras personas a una distancia prudencial de la máquina.

⚠ ADVERTENCIA

Lleve siempre protección auditiva mientras utiliza la máquina.

1. Suelte el acelerador y déjelo en posición de desengranado.
2. Arranque el motor; consulte Cómo arrancar el motor (página 11).
3. Deje que el motor se caliente a velocidad de ralenti durante dos minutos.
4. Empuje el manillar hacia abajo lo suficiente para levantar la rueda de corte del suelo.
5. Sujete el acelerador contra el manillar en la posición de Engranado; de esta manera se engrana el embrague centrífugo y la rueda de corte gira.
6. Mueva la máquina a la parte delantera del tocón y ponga el freno de estacionamiento.
7. Mueva la rueda de corte a un lado, luego bájela aproximadamente 1/2 pulgada – 1 pulgada sobre la esquina superior delantera del tocón. Mueva la rueda de corte hacia un lado y otro, bajando la rueda de 1/2 pulgada a 1 pulgada aproximadamente antes de cada pasada, hasta que haya eliminado la parte delantera del tocón hasta el nivel del suelo (Figura 11).



g014502

Figura 11

8. Eleve la rueda de corte hasta que el centro de la rueda esté justo por encima de la parte superior del tocón.
9. Con la rueda de corte desplazada a un lado, quite el freno de estacionamiento y desplace la máquina hacia adelante; luego ponga el freno de estacionamiento.
10. Continúe pasando la rueda de corte de un lado a otro por la cara del tocón, moviendo la máquina hacia adelante antes de cada pasada, y cortando hasta una profundidad de 1/2" a 1" en cada pasada.
11. Siga cortando hasta eliminar por completo la parte superior del tocón, asegurándose de no cortar por debajo del nivel del suelo en esta primera fase.
12. Suelte el acelerador y déjelo en la posición de desengranado, y empuje el manillar hacia abajo lo suficiente para levantar la rueda de corte del suelo. Espere diez segundos para que la rueda de corte deje de girar, luego quite el freno y retire la máquina del tocón.
13. Retire la máquina del tocón y rastrille las virutas de alrededor del tocón.
14. Mueva la máquina a la parte delantera del tocón y ponga el freno de estacionamiento.
15. Sujete el acelerador contra el manillar en la posición de Engranado; de esta manera se engrana el embrague centrífugo y la rueda de corte gira.

16. Siga cortando, repitiendo el paso 10 una y otra vez hasta que el tocón esté al nivel deseado por debajo del nivel del suelo.
17. Pare la máquina; consulte Cómo parar el motor (página 12).

Nota: No deje que la parte delantera de la máquina toque el suelo hasta que esté seguro de que la rueda de corte ha dejado de girar.

⚠ PELIGRO

Una rueda de corte en rotación es muy peligrosa y puede cortar y amputar las manos y los pies.

Permanezca en el puesto del operador y asegúrese de que la rueda de corte se ha detenido completamente antes de hacer nada más.

Mantenimiento

Nota: Los lados derecho e izquierdo de la máquina se determinan desde la posición normal del operador.

Importante: La máquina puede ser inclinada hacia atrás o hacia un lado para facilitar la limpieza y el mantenimiento, pero durante no más de 2 minutos. Si la máquina se mantiene demasiado tiempo en esta posición, el motor puede ser dañado si se filtra

gasolina en el cárter. Si esto ocurre, realice un cambio adicional del aceite del motor. Luego haga girar el motor unas cuantas revoluciones con el arrancador antes de arrancar el motor de nuevo.

Calendario recomendado de mantenimiento

Intervalo de mantenimiento y servicio	Procedimiento de mantenimiento
Después de las primeras 25 horas	<ul style="list-style-type: none">• Cambie el aceite.
Cada vez que se utilice o diariamente	<ul style="list-style-type: none">• Compruebe el nivel de aceite del motor.• Engrase la máquina.• Compruebe el filtro de aire.• Compruebe las cuchillas de la rueda de corte.• Elimine cualquier residuo de la máquina.
Cada 25 horas	<ul style="list-style-type: none">• Compruebe la tensión de la correa de transmisión.
Cada 50 horas	<ul style="list-style-type: none">• Revise el filtro de aire.
Cada 100 horas	<ul style="list-style-type: none">• Cambie el aceite.• Limpie la taza de sedimentos.• Compruebe las bujías.
Cada 200 horas	<ul style="list-style-type: none">• Cambie el filtro de aire.
Cada año o antes del almacenamiento	<ul style="list-style-type: none">• Cambie el aceite.• Limpie la taza de sedimentos.

Importante: Consulte en el *Manual del operador del motor* procedimientos adicionales de mantenimiento.

Lubricación

Engrasado de la máquina

Intervalo de mantenimiento: Cada vez que se utilice o diariamente

Tipo de grasa: Grasa de propósito general.

1. Limpie con un trapo los puntos de engrase.
2. Conecte una pistola de engrasar en cada punto de engrase.
3. Lubrique en dos puntos, uno en cada cojinete de la rueda de corte.

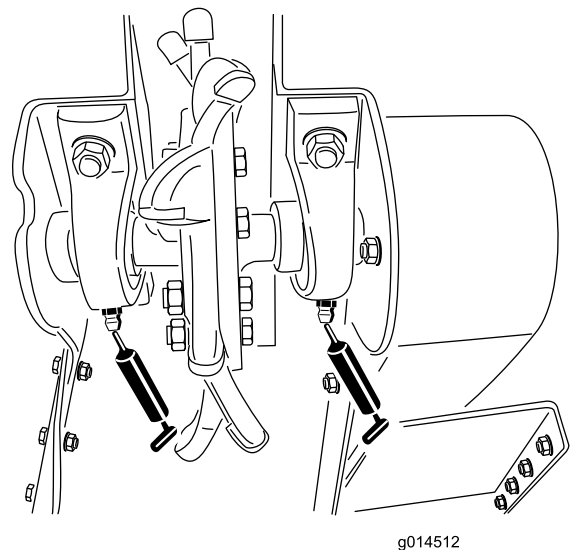


Figura 12

- Bombear grasa hasta que empiece a rezumar grasa de los cojinetes (3 aplicaciones aproximadamente)
- Limpie cualquier exceso de grasa.

Importante: Bombear la grasa lentamente y con cuidado, para evitar dañar las juntas de los cojinetes.

Mantenimiento del motor

Mantenimiento del limpiador de aire

Intervalo de mantenimiento: Cada vez que se utilice o diariamente

El filtro de aire ciclónico recoge las partículas contaminantes más grandes, que se depositan en el recipiente. Cuando vea una capa de suciedad en el fondo del recipiente, limpie la carcasa del ciclón, los conductos de aire y la rejilla de entrada de aire.

Mantenimiento del filtro de aire ciclónico

Intervalo de mantenimiento: Cada 50 horas

- Retire los tres tornillos que sujetan la carcasa del filtro ciclónico.
- Retire la carcasa con la rejilla de entrada de aire y retire los conductos de aire.

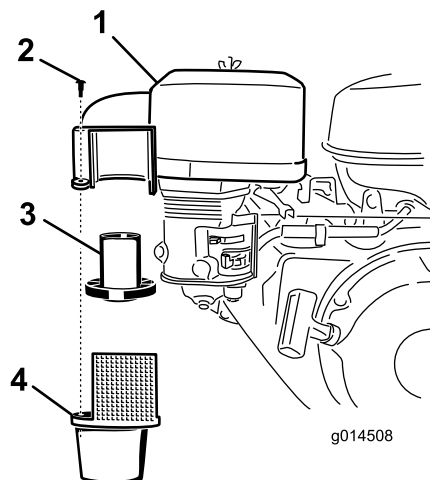


Figura 13

- | | |
|---------------------------------|--|
| 1. Carcasa del filtro ciclónico | 3. Conductos de aire. |
| 2. Tornillo | 4. Carcasa del filtro ciclónico con rejilla de entrada de aire |

Nota: Los conductos de aire pueden permanecer en la parte superior o retirarse junto con la carcasa.

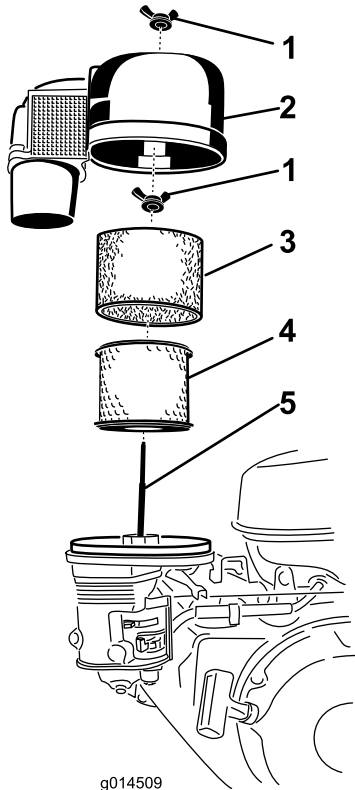
- Limpie los componentes. Utilice agua, detergente y un cepillo. Séquelos con cuidado.
- Coloque los conductos de aire en la carcasa del ciclón.
- Introduzca la carcasa del ciclón y asegúrese de que encaja correctamente en la parte superior. **No la fuerce;** alinéela bien antes de colocar los tornillos.

Cambio del filtro de aire

Intervalo de mantenimiento: Cada 200 horas

Si el motor tiene poca potencia, produce humo negro o funciona de forma irregular, el filtro de aire puede estar atascado.

1. Retire la tuerca de orejeta y retire el filtro ciclónico con la cubierta del filtro de aire (Figura 14).



g014509
Figura 14

- | | |
|-----------------------------|-------------------|
| 1. Tuerca de orejeta | 4. Filtro de aire |
| 2. Filtro de aire ciclónico | 5. Espárrago |
| 3. Prefiltro de gomaespuma | |
-
2. Retire el prefiltro de gomaespuma y límpielo de la manera siguiente
 - A. Lave el prefiltro con detergente suave y agua.
 - B. Apriételo con un paño limpio para secarlo.
 - C. Sature el prelimpiador con aceite de motor nuevo.
 - D. Envuelva el filtro con cuidado en un paño absorbente y apriete para eliminar el exceso de aceite.
 3. Retire la tuerca de orejeta de la parte superior del filtro de aire y retire el filtro de papel.
 4. Golpee el filtro de papel contra una superficie fija para eliminar el polvo. Si el filtro de papel todavía está sucio o si está dañado, cámbielo. El filtro de papel debe cambiarse cada 200 horas.

Importante: No utilice aire comprimido para limpiar el elemento de papel: esto podría dañar el elemento.

5. Monte el filtro de papel en la carcasa del filtro de aire y sujételo con la tuerca de orejeta.
6. Coloque el prefiltro de gomaespuma sobre el filtro de papel.
7. Instale el filtro ciclónico con la cubierta del filtro de aire y sujételo con la tuerca de orejeta.

Mantenimiento del aceite de motor

Nota: Cambie el aceite con más frecuencia en condiciones de funcionamiento de mucho polvo o arena.

Tipo de aceite: Aceite detergente con clasificación de servicio API SJ o superior.

Capacidad del cárter: 0,63 cuartos de galón (0,6 litros)

Viscosidad: Se recomienda SAE 10W-30 para el uso general.

Cómo cambiar el aceite del motor

Intervalo de mantenimiento: Después de las primeras 25 horas
Cada 100 horas
Cada año o antes del almacenamiento

1. Arranque el motor y déjelo funcionar durante cinco minutos. De esta forma, el aceite se calentará y será más fácil drenarlo.
2. Aparque la máquina de manera que el lado de drenaje esté ligeramente más bajo que el lado opuesto para asegurar que el aceite se drene completamente.
3. Ponga el freno de estacionamiento y pare el motor.
4. Coloque un recipiente debajo del orificio de vaciado de aceite.
5. Retire el tapón de vaciado y deje fluir el aceite a través del orificio de la ranura del bastidor (Figura 15).

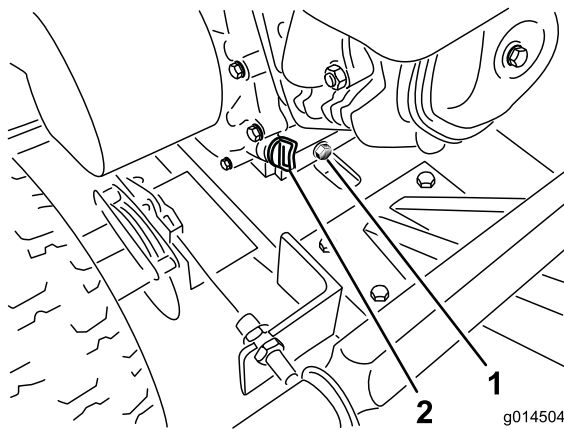


Figura 15

1. Orificio de vaciado del aceite
2. Tapón de llenado de aceite

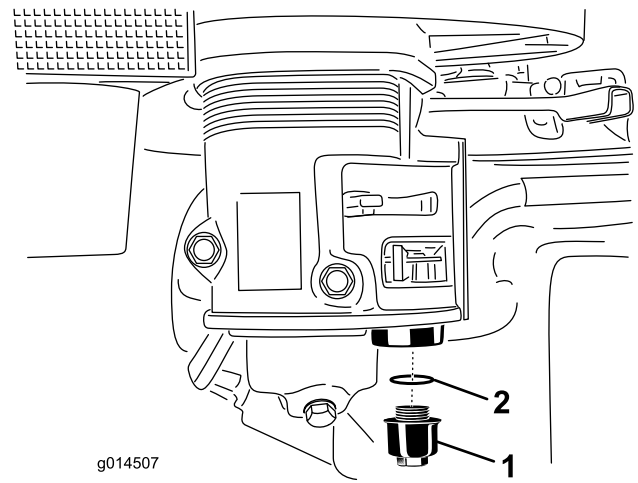


Figura 16

1. Taza de sedimentos
2. Junta tórica

6. Cuando el aceite se haya drenado completamente, instale el tapón y limpie cualquier aceite derramado.

Nota: Elimine el aceite usado en un centro de reciclaje homologado.

7. Retire el tapón de llenado de aceite y vierta lentamente aproximadamente el 80% de la cantidad especificada de aceite en el motor (Figura 15).
8. Añada lentamente más aceite hasta que el nivel llegue al límite superior de la varilla. Consulte (página).
9. Coloque el tapón de llenado.

Limpeza de la taza de sedimentos

Intervalo de mantenimiento: Cada 100 horas

Cada año o antes del almacenamiento

Debajo de la válvula de combustible hay una taza de sedimentos cuya función es atrapar la suciedad del combustible.

1. Mueva la válvula de combustible a la posición de Cerrado, totalmente hacia la izquierda.
2. Desenrosque la taza de sedimentos. Asegúrese de no perder la junta tórica (Figura 16).

3. Limpie el depósito y la junta tórica utilizando un disolvente y séquelos con cuidado.

Nota: Asegúrese de no perder la junta tórica.

4. Coloque la junta tórica en la ranura de la taza, y vuelva a colocar la taza de sedimentos.
5. Gire la válvula de combustible a la posición de Abierto, totalmente a la derecha, y compruebe que no hay fugas. Si hay fugas, cambie la junta tórica.

Mantenimiento de la bujía

Intervalo de mantenimiento: Cada 100 horas—Compruebe las bujías.

Asegúrese de que la distancia entre los electrodos central y lateral es correcta antes de instalar la bujía. Utilice una llave para bujías para desmontar e instalar la bujía y una galga de espesores/herramienta de separación de electrodos para comprobar y ajustar la distancia entre los mismos. Instale una bujía nueva si es necesario.

Tipo: BPR6ES (NKG) o equivalente.

Hueco entre electrodos: 0,28–0,031 pulgadas (0,70-0,80 mm)

Desmontaje de la bujía

1. Baje el desbastador y pare la máquina; consulte Cómo parar el motor (página 12).
2. Retire el cable de la bujía (Figura 17).

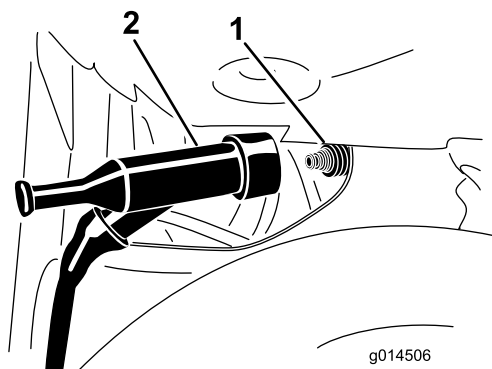


Figura 17

- 1. Bujía
- 2. Alambre

-
- 3. Limpie alrededor de la bujía.
 - 4. Retire la bujía y la arandela metálica.

Inspección de la bujía

- 1. Mire la parte central de la bujía (Figura 18). Si se observa un color gris o marrón claro en el aislante, el motor está funcionando correctamente. Si el aislante tiene un recubrimiento negro, significa que el limpiador de aire está sucio.

Importante: No limpie nunca la bujía. Cambie la bujía si tiene un revestimiento negro, electrodos desgastados, una película aceitosa o grietas.

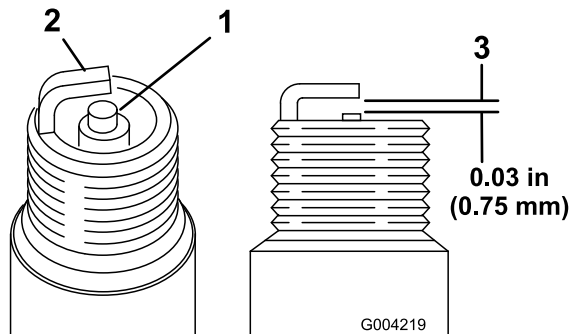


Figura 18

- 1. Aislante del electrodo central
- 2. Electrodo lateral
- 3. Hueco entre electrodos (no a escala)

-
- 2. Compruebe la separación entre los electrodos central y lateral (Figura 18). Si la distancia no es correcta, doble el electrodo lateral (Figura 18).

Instalación de la bujía

- 1. Enrosque la bujía en el orificio.
- 2. Apriete la bujía a 20 pies-libra (27 N-m).
- 3. Conecte el cable a la bujía.

Mantenimiento de las correas

Comprobación de la tensión de la correa de transmisión

Intervalo de mantenimiento: Cada 25 horas

Nota: Cambie la correa si muestra señales de desgaste, grietas o daños.

1. Pare el motor y espere a que se detengan todas las piezas en movimiento.
2. Retire los tornillos de retención del protector de la correa (Figura 19).

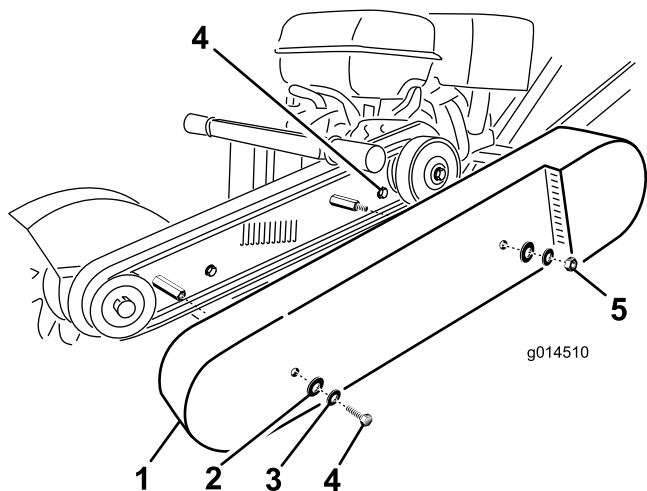


Figura 19

los detalles pueden variar dependiendo del modelo

- | | |
|---------------------------|-----------|
| 1. Protector de la correa | 4. Perno |
| 2. Arandela de freno | 5. Tuerca |
| 3. Arandela | |

3. Para comprobar la tensión de la correa, apriete suavemente entre sí los tramos de la correa. Debe poder desviar la correa 1/4 – 3/8" (6-10 mm) aproximadamente desde su posición original.

Importante: Para alargar la vida de la correa, debe mantenerse una tensión correcta. Una correa floja causará un patinaje excesivo de la rueda de corte y un fallo prematuro de la correa. Si la correa está demasiado apretada puede provocar fallos de los cojinetes o del eje, y el desgaste de la correa será rápido.

Ajuste de la correa de transmisión

1. Retire el protector de la correa.

2. Afloje los 4 pernos de montaje del motor y las contratuercas que sujetan el perno de ajuste (Figura 20).

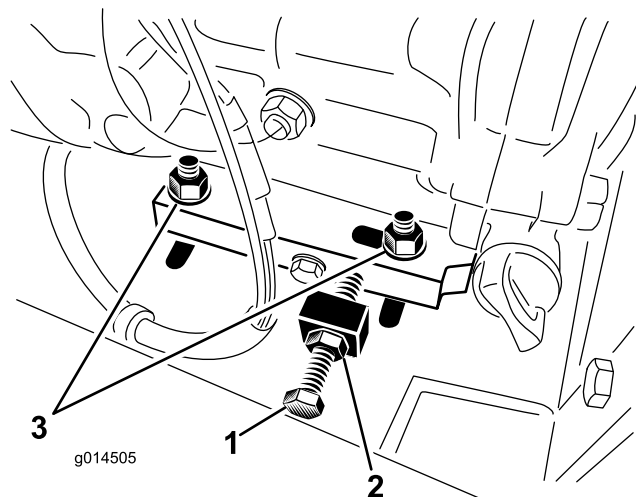


Figura 20

- | | |
|-----------------|-------------------------------|
| 1. Perno | 3. Perno de montaje del motor |
| 2. Contratuerca | |

3. Gire el perno de ajuste de cabeza cuadrada del bastidor en el sentido de las agujas del reloj para apretar la correa, y en el sentido contrario a las agujas del reloj para aflojarla

Importante: Importante: Asegúrese de apretar todos los pernos del motor después de ajustar correctamente la correa.

4. Instale el protector de la correa y sujételo con los herrajes que retiró anteriormente.

Mantenimiento del desbastador

Comprobación de las cuchillas de la rueda de corte

Intervalo de mantenimiento: Cada vez que se utilice o diariamente

Las cuchillas de la rueda de corte son unos de los elementos más críticos de la máquina. También son los más propensos a daños y desgaste. Durante el desbastado de tocones, no sólo entran en contacto con la madera, sino que también se encuentran con numerosos abrasivos y objetos tales como tierra, piedras y, de vez en cuando, grandes trozos de piedra o de metal enterrado.

El desgaste y la pérdida de dientes puede reducir de forma significativa la eficacia y el rendimiento de la máquina. Por tanto, es importante efectuar comprobaciones frecuentes de la condición de los dientes y cambiar cualquier sección de cuchilla que esté dañada o desgastada (Figura 21).

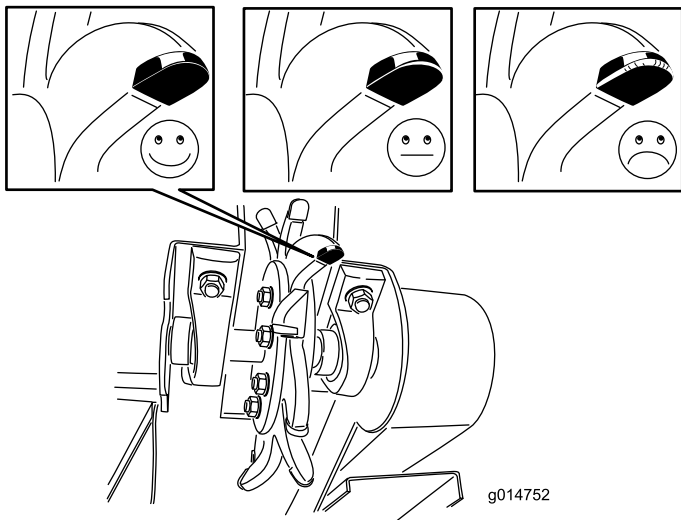


Figura 21

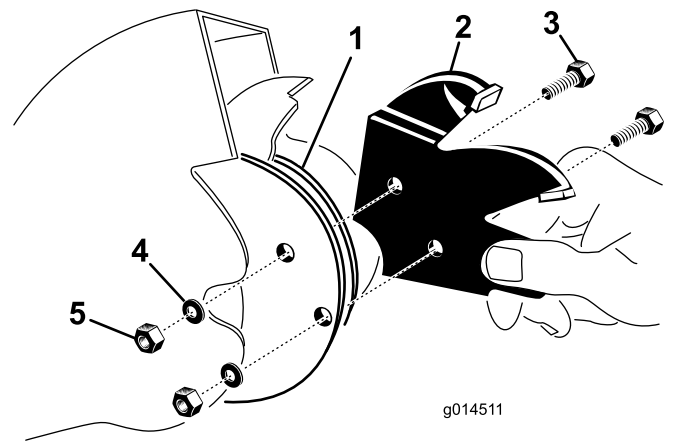


Figura 22

3. Inspeccione cada sección en busca de grietas. Sustituya una sección de cuchilla si está agrietada, si faltan dientes o si hay dientes desgastados.
Nota: Al cambiar las secciones de cuchilla de la rueda de corte, asegúrese de que la sección de cuchilla está correctamente alineada con el sentido de giro de las cuchillas.
4. Introduzca la sección de la cuchilla entre las bridas de montaje de la cuchilla (Figura 22) y sujétela con 2 pernos, arandelas de freno y tuercas.
5. Apriete las fijaciones a 27–33 pies-libra (37–45 N-m).

Sustitución de las cuchillas de la rueda de corte

1. Limpie toda suciedad de la rueda de corte y de las bridas de montaje.
2. Retire los dos pernos que sujetan cada sección de cuchilla. Tenga cuidado de que al aflojarse, las secciones no puedan caerse y romperse (Figura 22).

Limpieza

Cómo limpiar la máquina

La limpieza y el lavado regulares aumentan la vida útil de la máquina. Limpie la máquina inmediatamente después del uso, antes de que se endurezca la suciedad.

Antes de empezar la limpieza, compruebe que el tapón del depósito de combustible está correctamente colocado para evitar que entre agua en el depósito.

Tenga cuidado al usar agua a presión, porque puede dañar las pegatinas de advertencia e instrucciones, y el motor.

Importante: Lubrique los cojinetes de la rueda de corte después de la limpieza.

Almacenamiento

Si va a guardar la máquina durante más de 30 días, prepare la unidad de la forma siguiente.

1. Retire la suciedad de las piezas externas de toda la máquina, especialmente del motor. Limpie la suciedad y el serrín de la parte exterior de las aletas de la culata del motor y de la carcasa del soplador.

Importante: La máquina puede lavarse con detergente suave y agua.

2. Agregue un estabilizador/condicionador a base de petróleo al combustible del depósito. Siga las instrucciones de mezcla del fabricante del estabilizador (1 onzas por galón US). **No use** un estabilizador a base de alcohol (etanol o metanol).

Nota: Un estabilizador/condicionador de combustible es más eficaz si se mezcla con gasolina fresca y se utiliza siempre.

Importante: No guarde la gasolina con estabilizador/condicionador durante más de 90 días.

3. Haga funcionar el motor para distribuir el combustible con acondicionador por todo el sistema de combustible (5 minutos).
4. Pare el motor, deje que se enfríe y vacíe el depósito de combustible usando un sifón tipo bomba. Elimine correctamente el combustible; recíclelo observando la normativa local.
5. Arranque el motor y hágalo funcionar hasta que se pare.
6. Accione el estérter.
7. Ponga en marcha y haga funcionar el motor hasta que no vuelva a arrancar.
8. Limpie la taza de sedimentos, consulte Limpieza de la taza de sedimentos (página 17).
9. Revise el limpiador de aire; consulte Mantenimiento del filtro de aire ciclónico (página 15) y Cambio del filtro de aire (página 16).
10. Cambie el aceite del cárter del motor; consulte (página).
11. Retire la bujía y compruebe su condición; consulte (página).
12. Con la bujía retirada del motor, vierta dos cucharadas soperas de aceite de motor en el orificio de la bujía.
13. Tire lentamente del arrancador para hacer girar el motor y distribuir el aceite dentro del cilindro.
14. Instale la bujía, pero no conecte el cable a la bujía.
15. Engrase los cojinetes de la rueda de corte; consulte Engrasado de la máquina (página 14).

16. Revise y apriete todos los pernos, tuercas y tornillos.
Repare o sustituya cualquier pieza dañada.
17. Pinte las superficies que estén arañadas o donde esté visible el metal. Puede adquirir la pintura en su Servicio Técnico Autorizado.
18. Guarde la máquina en un garaje o almacén seco y limpio.
19. Cubra la máquina para protegerla y para conservarla limpia.

Solución de problemas

Problema	Posible causa	Acción correctora
El motor no arranca.	<ol style="list-style-type: none"> 1. El interruptor del motor está en la posición de Desengranado. 2. La válvula de combustible está cerrada. 3. El estérter está activado. 4. El depósito de combustible está vacío. 5. El cable de la bujía está suelto o desconectado. 	<ol style="list-style-type: none"> 1. Sujete la barra de seguridad contra el manillar. 2. Abra la válvula de combustible. 3. Cierre el estérter si el motor está frío. 4. Llene el depósito de combustible nuevo. 5. Compruebe el hueco entre los electrodos y limpie o cambie la bujía.
El motor no funciona regularmente.	<ol style="list-style-type: none"> 1. El estérter se ha dejado activado. 2. El filtro de aire está atascado. 3. El tubo de combustible está atascado. 4. Hay agua o contaminantes en el combustible. 5. Las bujías están desgastadas o los electrodos están sucios. 	<ol style="list-style-type: none"> 1. Desactive el estérter. 2. Limpie o cambie el filtro de aire. 3. Limpie la taza de sedimentos. 4. Drene el depósito y llénelo de combustible nuevo. 5. Compruebe el hueco entre los electrodos y limpie o cambie la bujía.
La correa patina o se sale de las poleas.	<ol style="list-style-type: none"> 1. La tensión de la correa es insuficiente. 	<ol style="list-style-type: none"> 1. Ajuste la tensión de la correa. Reduzca la profundidad de corte.
La rueda de corte no gira.	<ol style="list-style-type: none"> 1. La velocidad del motor es insuficiente para activar el embrague centrífugo. 2. La tensión de la correa es insuficiente. 3. Las pastillas del embrague están desgastadas. 	<ol style="list-style-type: none"> 1. Mueva el acelerador a la posición de Engranado. 2. Ajuste la tensión de la correa. 3. Cambie el embrague.
La rueda de corte sigue girando.	<ol style="list-style-type: none"> 1. La velocidad del motor es excesiva. 2. La correa se ha salido de las poleas o se ha roto. 3. Muelles del embrague débiles o rotos. 	<ol style="list-style-type: none"> 1. Mueva el acelerador a la posición de Desengranado. 2. Sustituya la correa de transmisión. 3. Cambie el embrague.



Garantía de Equipos Utilitarios Compactos Toro

Garantía limitada de un año

Productos CUE

Condiciones y productos cubiertos

The Toro® Company y su afiliado, Toro Warranty Company, bajo un acuerdo entre sí, garantizan conjuntamente que su Equipo Utilitario Compacto Toro ("Producto") está libre de defectos de materiales o mano de obra. Los siguientes plazos son aplicables desde la fecha de la compra:

Productos	Periodo de garantía
Vehículos de carga, Zanjadoras, Desbastadores de tocones, Trituradores, Partidores de troncos y accesorios	1 año o 1000 horas de operación, lo que ocurra primero
Motores Kohler	3 años
Todos los demás motores	2 años

Cuando exista una condición cubierta por la garantía, repararemos el Producto sin coste alguno para usted, incluyendo diagnóstico, mano de obra y piezas.

Instrucciones para obtener asistencia bajo la garantía

Si usted cree que su producto Toro tiene un defecto de materiales o de mano de obra, siga este procedimiento:

1. Póngase en contacto con cualquier Distribuidor Autorizado de Equipos Utilitarios Compactos (CUE Compact Utility Equipment) Toro para concertar el mantenimiento en sus instalaciones. Para localizar un distribuidor cerca de usted, visite nuestra página web: www.Toro.com. También puede llamar al teléfono gratuito del Departamento de Asistencia al Cliente Toro al 888-865-5676 (clientes de EE.UU.) o al 888-865-5691 (clientes de Canadá).
2. Lleve el producto y su prueba de compra (recibo o factura de venta) al Distribuidor.
3. Si por alguna razón usted no está satisfecho con el análisis del Distribuidor o con la asistencia recibida, póngase en contacto con nosotros en la dirección siguiente:

LCB Customer Care Department
Toro Warranty Company
8111 Lyndale Avenue South
Bloomington, MN 55420-1196
Teléfono gratuito: 888-865-5676 (clientes de EE.UU.)
Teléfono gratuito: 888-865-5691 (clientes de Canadá)

Responsabilidades del propietario

Usted debe mantener su Producto Toro siguiendo los procedimientos de mantenimiento descritos en el *Manual del operador*. Dicho mantenimiento rutinario, sea realizado por un distribuidor o por usted mismo, es por cuenta de usted. Las piezas cuya sustitución está prevista como mantenimiento requerido ("Piezas de mantenimiento") están garantizadas hasta la primera sustitución programada de dicha pieza. El no realizar el mantenimiento y los ajustes requeridos puede dar pie a la negación de una reclamación bajo la garantía.

Elementos y condiciones no cubiertos

No todos los fallos o averías de productos que se producen durante el periodo de garantía son defectos de materiales o de mano de obra. Esta garantía expresa no cubre:

- Los fallos o averías del Producto que se producen como consecuencia del uso de piezas de repuesto que no son de Toro, o de la instalación y el uso de accesorios adicionales, modificados o no homologados
- Los fallos del Producto que se producen como resultado de no realizar el mantenimiento y/o los ajustes requeridos
- Los fallos de productos que se producen como consecuencia de la operación del Producto de manera abusiva, negligente o temerario
- Piezas sujetas a consumo en el uso a menos que se demuestre que son defectuosas. Algunos ejemplos de piezas que se consumen o gastan durante la operación normal del Producto incluyen, pero no se limitan a, dientes, taladros, cuchillas, bujías, neumáticos, orugas, filtros, cadenas, etc.
- Fallos producidos por influencia externa. Los elementos que se consideran influencia externa incluyen pero no se limitan a condiciones meteorológicas, prácticas de almacenamiento, contaminación, el uso de refrigerantes, lubricantes, aditivos o productos químicos no homologados, etc.
- Elementos sujetos a "desgaste normal". El "desgaste normal" incluye, pero no se limita a, desgaste de superficies pintadas, pegatinas o ventanas rayadas, etc.
- Cualquier componente cubierto por una garantía de fabricante independiente
- Costes de recogida y entrega

Condiciones generales

La reparación por un Servicio Técnico Autorizado de Equipos Utilitarios Compactos (EUC) Toro es su único remedio bajo esta garantía.

Ni The Toro® Company ni Toro Warranty Company son responsables de daños indirectos, incidentales o consecuentes en conexión con el uso de los Productos Toro cubiertos por esta garantía, incluyendo cualquier coste o gasto por la provisión de equipos de sustitución o servicio durante periodos razonables de mal funcionamiento o no utilización hasta la terminación de reparaciones bajo esta garantía. Cualquier garantía implícita de mercantilidad y adecuación a un uso determinado queda limitada a la duración de esta garantía expresa. Algunos estados no permiten exclusiones de daños incidentales o consecuentes, ni limitaciones sobre la duración de una garantía implícita, de manera que las exclusiones y limitaciones arriba citadas pueden no serle aplicables a usted.

Esta garantía le otorga a usted derechos legales específicos; es posible que usted tenga otros derechos que varían de un estado a otro.

Salvo la garantía del motor y la garantía de emisiones citada más adelante, en su caso, no existe otra garantía expresa. Es posible que el Sistema de Control de Emisiones de su Producto esté cubierto por otra garantía independiente que cumpla los requisitos establecidos por la U.S. Environmental Protection Agency (EPA) o el California Air Resources Board (CARB). Las limitaciones horarias estipuladas anteriormente no son aplicables a la Garantía del Sistema de Control de Emisiones. Si desea más información, consulte la Declaración de Garantía de Control de Emisiones de California proporcionada con su Producto o incluida en la documentación del fabricante del motor.

Países fuera de Estados Unidos o Canadá

Los clientes que compraron productos Toro exportados de los Estados Unidos o Canadá deben ponerse en contacto con su Distribuidor Toro para obtener pólizas de garantía para su país, provincia o estado. Si por cualquier razón usted no está satisfecho con el servicio ofrecido por su distribuidor, o si tiene dificultad en obtener información sobre la garantía, póngase en contacto con el importador Toro. Si fallan todos los demás recursos, puede ponerse en contacto con nosotros en Toro Warranty Company.

ATTENTION

CALIFORNIE

Proposition 65 - Avertissement

Les gaz d'échappement de ce produit sont considérés par l'état de Californie comme susceptibles de provoquer des cancers, des malformations congénitales et autres troubles de la reproduction.

antipollution de l'état de Californie relatives aux systèmes antipollution, à l'entretien et à la garantie. Vous pouvez vous en procurer un nouvel exemplaire en vous adressant au constructeur du moteur.

⚠ DANGER

Des conduites de gaz ou d'électricité ou des lignes téléphoniques peuvent être enfouies dans la zone de travail. Vous risquez de vous électrocuter ou de provoquer une explosion si vous les coupez en creusant.

Marquez au préalable l'emplacement des lignes ou conduites enfouies dans la zone de travail, et ne creusez pas à ces endroits. Contactez le service de signalisation ou la compagnie de services publics pour marquer le terrain correctement (par exemple, aux États-Unis, contactez le service de signalisation national au 811).

Ce système d'allumage par étincelle est conforme à la norme canadienne ICES-002

Certaines régions et certains pays exigeant l'utilisation d'un pare-étincelles sur le moteur de cette machine, un pare-étincelles est proposé en option. Si vous devez vous procurer un pare-étincelles, contactez un Concessionnaire Toro agréé.

Les pare-étincelles Toro d'origine sont homologués par le Ministère de l'agriculture et le Service des forêts des États-Unis (USDAFA).

Important: Vous commettez une infraction à la section 4442 du Code des ressources publiques de Californie si vous utilisez cette machine dans une zone boisée, broussailleuse ou recouverte d'herbe sans qu'elle soit équipée d'un silencieux avec pare-étincelles en bon état, ou sans que le moteur soit bridé, équipé et entretenu correctement pour prévenir les incendies. Certains autres états ou régions fédérales peuvent être régis par des lois similaires.

Le *Manuel de l'utilisateur du moteur* ci-joint est fourni à titre de référence concernant la réglementation de l'agence américaine de défense de l'environnement (EPA) et la réglementation

Introduction

Cette machine est conçue pour broyer et éliminer les souches d'arbres et les racines en surface. Elle n'est pas prévue pour creuser dans la roche ou dans toute matière autre que le bois et la terre autour d'une souche.

Lisez attentivement ces informations pour apprendre comment utiliser et entretenir correctement votre produit, et éviter de l'endommager ou de vous blesser. Vous êtes responsable de l'utilisation sûre et correcte du produit.

Vous pouvez contacter Toro directement à www.Toro.com pour tout renseignement concernant un produit ou un accessoire, pour obtenir l'adresse des dépositaires ou pour enregistrer votre produit.

Lorsque vous contactez un distributeur ou un réparateur Toro agréé pour l'entretien de votre machine, pour vous procurer des pièces Toro d'origine ou pour obtenir des renseignements complémentaires, soyez prêt(e) à lui fournir les numéros de modèle et de série du produit. Figure 1 indique l'emplacement des numéros de modèle et de série du produit. Inscrivez les numéros dans l'espace réservé à cet effet.

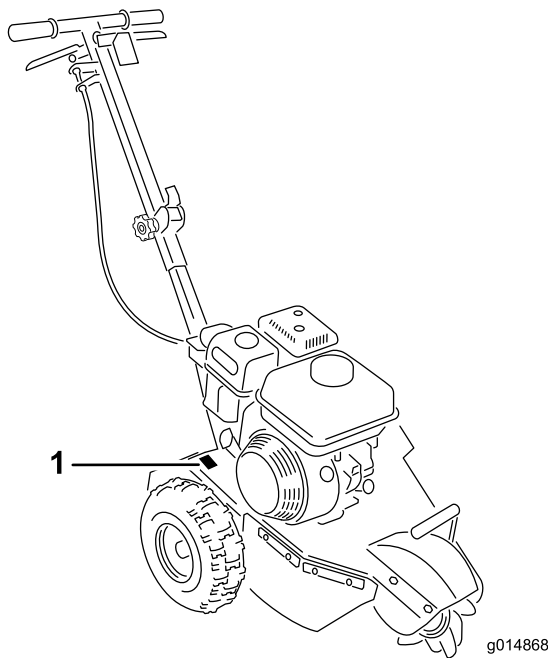


Figure 1

1. Plaque des numéros de modèle et de série

N° de modèle _____
N° de série _____

Les mises en garde de ce manuel soulignent les dangers potentiels et sont signalées par le symbole de sécurité (Figure 2), qui indique un danger pouvant entraîner des blessures graves ou mortelles si les précautions recommandées ne sont pas respectées.



Figure 2

1. Symbole de sécurité

Deux autres termes sont également utilisés pour faire passer des informations essentielles. **Important**, pour attirer l'attention sur des informations mécaniques spécifiques, et **Remarque**, pour signaler des informations d'ordre général méritant une attention particulière.

Table des matières

Introduction.....	3
Sécurité	4
Consignes de sécurité	4
Autocollants de sécurité et d'instruction	6
Vue d'ensemble du produit	7
Commandes	7
Caractéristiques techniques.....	9
Accessoires/Équipements.....	9
Utilisation.....	10
Avant l'utilisation.....	10
Ajout de carburant.....	10
Contrôle du niveau d'huile moteur.....	11
Démarrage et arrêt du moteur.....	12
Rabotage des souches	12
Entretien.....	15
Programme d'entretien recommandé	15
Lubrification	15
Graissage de la machine.....	15
Entretien du moteur	16
Entretien du filtre à air.....	16
Vidange et remplacement de l'huile moteur	17
Entretien de la bougie.....	18
Entretien des courroies.....	19
Contrôle de la tension de la courroie d'entraînement	19
Réglage de la courroie d'entraînement	19
Entretien de la dessoucheuse	20
Contrôle des lames du disque de coupe.....	20
Remplacement des lames du disque de coupe	20

Nettoyage.....	21
Nettoyage des débris sur la machine	21
Remisage.....	22
.....	22
Dépistage des défauts	23

Sécurité

Cette machine peut occasionner des accidents si elle n'est pas utilisée ou entretenue correctement. Pour réduire les risques d'accidents et de blessures, respectez les consignes de sécurité qui suivent. Tenez toujours compte des mises en garde signalées par le symbole de sécurité ▲ et la mention *Prudence*, *Attention* ou *Danger*. Ne pas les respecter, c'est risquer de vous blesser, parfois mortellement.

Consignes de sécurité

Ce produit peut sectionner les mains ou les pieds. Respectez toujours toutes les mesures de sécurité pour éviter des blessures graves, voire mortelles.

▲ ATTENTION

Les gaz d'échappement contiennent du monoxyde de carbone, un gaz inodore mortel.

Ne faites pas tourner le moteur à l'intérieur d'un local fermé.

Apprendre à se servir de la machine

- Lisez le *Manuel de l'utilisateur* et toute autre documentation de formation. Il incombe au propriétaire de la machine d'expliquer le contenu du manuel aux personnes (utilisateurs, mécaniciens, etc.) qui ne maîtrisent pas suffisamment la langue dans laquelle il est rédigé.
- Familiarisez-vous avec le maniement correct du matériel, les commandes et les symboles de sécurité.
- Les utilisateurs et mécaniciens doivent tous posséder les compétences nécessaires. Le propriétaire de la machine doit assurer la formation des utilisateurs.
- Ne laissez jamais un enfant ou une personne non-qualifiée utiliser la machine ou en faire l'entretien. Certaines législations imposent un âge minimum pour l'utilisation de ce type d'appareil.
- Le propriétaire/l'utilisateur est responsable des dommages matériels ou corporels et peut les prévenir.

Avant d'utiliser la machine

- Examinez la zone de travail pour déterminer quels accessoires et équipements vous permettront d'exécuter votre tâche correctement et sans danger. N'utilisez que les accessoires et équipements agréés par le constructeur.

- Portez des vêtements appropriés, y compris un casque, un masque, des lunettes de protection, un pantalon, des chaussures de sécurité et des protège-oreilles. Les cheveux longs, les vêtements amples et les bijoux peuvent se prendre dans les pièces mobiles.
- Examinez la zone de travail et enlevez tout objet susceptible d'être projeté par la machine (pierres, jouets, câbles, etc.).
- Soyez particulièrement prudent lorsque vous manipulez un carburant quel qu'il soit, en raison de son inflammabilité et du risque d'explosion des vapeurs qu'il dégage.
 - N'utilisez que des récipients homologués.
 - N'enlevez jamais le bouchon du réservoir et n'ajoutez jamais de carburant lorsque le moteur est en marche. Laissez refroidir le moteur avant de faire le plein. Ne fumez pas.
 - Ne faites jamais le plein et ne vidangez jamais le réservoir de carburant à l'intérieur.
- Vérifiez toujours que les commandes de présence de l'utilisateur, les contacteurs de sécurité et les capots de protection sont en place et fonctionnent correctement. Si ce n'est pas le cas, n'utilisez pas la machine.
- Vérifiez que le disque de coupe arrête de tourner lorsque vous réduisez l'ouverture du papillon.
- Avant de faire marche arrière, vérifiez que la voie est libre juste derrière la machine et sur sa trajectoire.
- Tenez les personnes et les animaux à distance.
- N'utilisez pas la machine sous l'emprise de l'alcool, de drogues ou de médicaments.
- Procédez avec prudence pour charger la machine sur une remorque ou un camion, et pour la décharger.
- Vérifiez que personne ne se trouve dans la zone de travail avant d'utiliser la machine. Arrêtez la machine si quelqu'un entre dans la zone de travail.
- Ne laissez jamais la machine en marche sans surveillance. Arrêtez toujours le moteur et vérifiez que les disques de coupe ont cessé de tourner.
- Ne manœuvrez jamais les commandes sèchement; actionnez-les régulièrement.
- Méfiez-vous de la circulation près des routes et pour traverser.
- Ne touchez aucune pièces de la machine juste après l'arrêt, car elles peuvent être très chaudes. Laissez-les refroidir avant d'entreprendre toute réparation, tout réglage ou tout entretien.
- La machine ne doit être utilisée que dans des lieux dégagés de tout obstacle proche. Si la machine n'est pas tenue à une distance suffisante des arbres, murs et autres obstacles, elle peut causer des blessures si l'utilisateur fait marche arrière sans tenir compte de la géographie du terrain. La machine ne doit être utilisée que dans les zones suffisamment dégagées pour lui permettre d'évoluer sans risque.
- Marquez au préalable l'emplacement des conduites souterraines dans la zone de travail, et n'utilisez pas la machine à ces endroits.
- Trouvez les points de pincement indiqués sur la machine et n'approchez pas les mains ni les pieds de ces points.
- La foudre peut provoquer des blessures graves ou mortelles. Si vous observez la foudre ou que vous entendez le tonnerre à proximité, n'utilisez pas la machine et mettez-vous à l'abri.

Utilisation

- Ne faites jamais tourner le moteur dans un local fermé.
- N'utilisez la machine que sous un bon éclairage et méfiez-vous des trous et autres dangers cachés.
- Vérifiez que toutes les transmissions sont au point mort avant de mettre le moteur en marche. Ne mettez le moteur en marche qu'à partir de la position de conduite.
- N'utilisez jamais la machine si les capots de protection ne sont pas en place. Vérifiez la fixation, le réglage et le fonctionnement de tous les verrouillages de sécurité.
- Ne modifiez pas le réglage du régulateur et ne faites pas tourner le moteur à un régime excessif.
- Arrêtez-vous sur une surface plane et horizontale, abaissez la dessoucheuse et arrêtez le moteur avant de quitter le poste de conduite, pour quelque raison que ce soit.
- N'approchez pas les mains et les pieds du disque de coupe et des dents de la dessoucheuse en marche.

Entretien et remisage

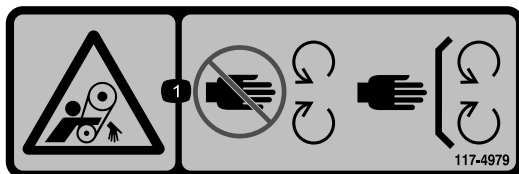
- Arrêtez le moteur. Attendez l'arrêt complet de toutes les pièces en mouvement avant de régler, de nettoyer ou de réparer la machine.
- Pour éviter les risques d'incendie, éliminez les débris qui se trouvent sur les accessoires, les entraînements, les silencieux et le moteur. Nettoyez les coulées éventuelles d'huile ou de carburant.

- Laissez refroidir le moteur avant de remiser la machine dans un local à l'écart de toute flamme.
- Ne stockez pas le carburant à proximité d'une flamme et ne vidangez pas le réservoir de carburant à l'intérieur.
- Garez la machine sur un sol plat et horizontal. Ne confiez jamais l'entretien de la machine à des personnes non qualifiées.
- Libérez la pression emmagasinée dans les composants avec précaution.
- Débranchez la bougie avant d'effectuer des réparations.
- N'approchez jamais les mains ou les pieds des pièces en mouvement. Dans la mesure du possible, évitez de procéder à des réglages sur la machine quand le moteur tourne.
- Maintenez toutes les pièces en bon état de marche et les fixations bien serrées. Remplacez tous les autocollants usés ou endommagés.
- Gardez les écrous et boulons bien serrés. Maintenez le matériel en bon état de marche.
- N'enlevez pas et ne modifiez pas les dispositifs de sécurité.
- Ne laissez pas l'herbe, les feuilles ou d'autres débris s'accumuler sur la machine. Nettoyez les coulées éventuelles d'huile ou de carburant. Laissez refroidir la machine avant de la remiser.
- Soyez particulièrement prudent lorsque vous manipulez un carburant quel qu'il soit, en raison de son inflammabilité et du risque d'explosion des vapeurs qu'il dégage.
 - N'utilisez que des récipients homologués.
 - N'enlevez jamais le bouchon du réservoir et n'ajoutez jamais de carburant lorsque le moteur tourne. Laissez refroidir le moteur avant de faire le plein. Ne fumez pas.
 - Ne faites jamais le plein à l'intérieur.
 - Ne remisez jamais la machine ou les bidons de carburant dans un local où se trouve une flamme nue, telle la veilleuse d'un chauffe-eau ou d'une chaudière.
 - Ne remplissez jamais les bidons de carburant à l'intérieur d'un véhicule, dans le coffre, à l'arrière d'une fourgonnette ou sur quelque surface que ce soit, autre que le sol.
 - Le bec verseur du bidon doit être maintenu en contact avec le bord du réservoir pendant la durée du remplissage.
- Arrêtez-vous et examinez la machine après avoir heurté un obstacle. Effectuez les réparations nécessaires avant de remettre le moteur en marche.
- Pour préserver les normes d'origine, n'utilisez que des pièces de rechange Toro d'origine.

Autocollants de sécurité et d'instruction

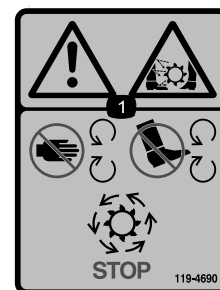


Des autocollants de sécurité et des instructions bien visibles sont placés près de tous les endroits potentiellement dangereux. Remplacez tout autocollant endommagé ou manquant.



117-4979

1. Risque de coincement par la courroie – ne vous approchez pas des pièces mobiles et laissez toutes les protections et capots en place.



119-4690

1. Attention - Risque de coupure/mutilation par la lame de la machine — n'approchez jamais les mains ou les pieds des pièces en mouvement, gardez toutes les protections en place et attendez l'arrêt de toutes les pièces mobiles.



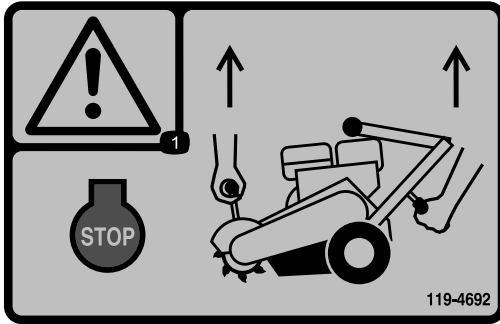
119-4691

1. Attention — lisez le *Manuel de l'utilisateur* ; attendez l'arrêt de la lame de ma chine, arrêtez le moteur et repliez le guidon.

CALIFORNIA SPARK ARRESTER WARNING

Operation of this equipment may create sparks that can start fires around dry vegetation. A spark arrester may be required. The operator should contact local fire agencies for laws or regulations relating to fire prevention requirements. 117-2718

117-2718



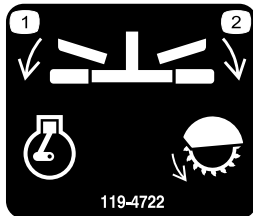
119-4692

1. Attention — arrêtez le moteur ; soulevez la machine des deux mains.



119-4693

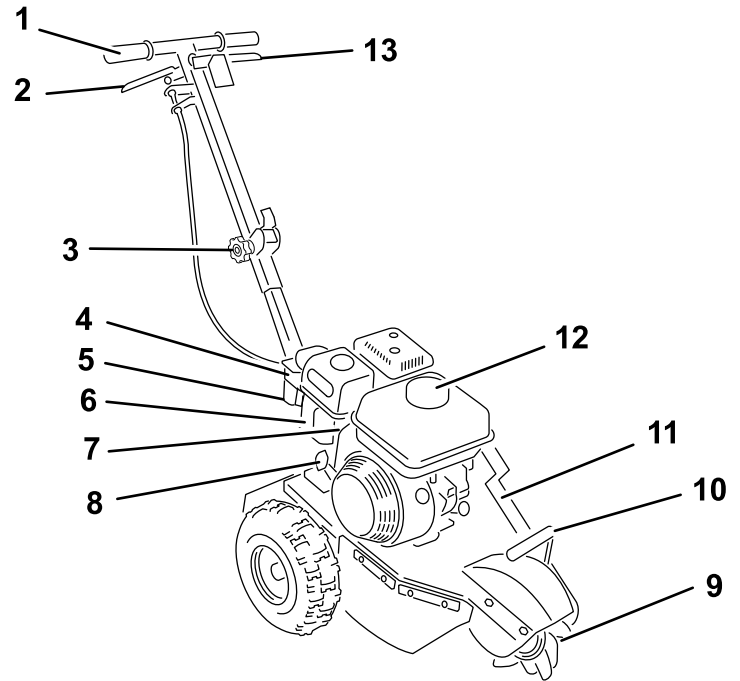
1. Risque de projections – tenez les spectateurs à bonne distance de la machine.



119-4722

1. Moteur en marche
2. Lame engagée

Vue d'ensemble du produit



g014869

Figure 3

- | | |
|----------------------------------|---------------------------------------|
| 1. Guidon | 8. Démarreur |
| 2. Manette d'accélérateur | 9. Disque de coupe |
| 3. Bouton de déblocage du guidon | 10. Levage |
| 4. Filtre à air | 11. Couvercle de courroie |
| 5. Cuvette de décantation | 12. Bouchon du réservoir de carburant |
| 6. Robinet de carburant | 13. Barre de sécurité |
| 7. Starter | |

Commandes

Avant de mettre le moteur en marche et d'utiliser la machine, familiarisez-vous avec toutes les commandes (Figure 3 et Figure 6).

Bouton de déblocage du guidon

Le guidon de cette machine peut être replié pour faciliter le transport. Dévissez le bouton de déblocage du guidon sur la machine (Figure 4).

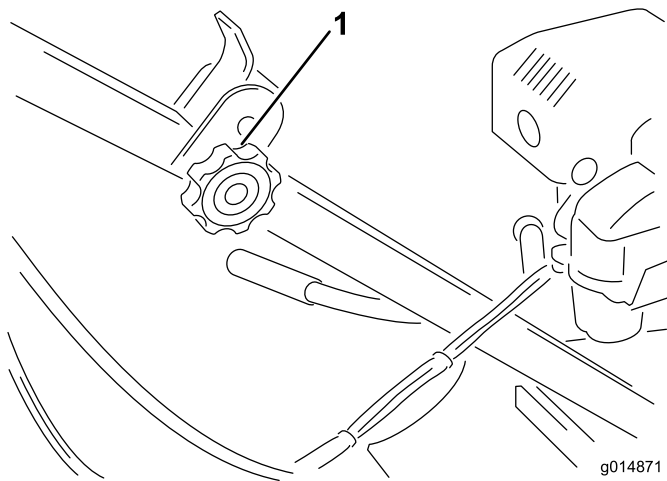


Figure 4

1. Bouton de déblocage du guidon

Repliez le guidon vers la machine et revissez-le sur la machine (Figure 5).

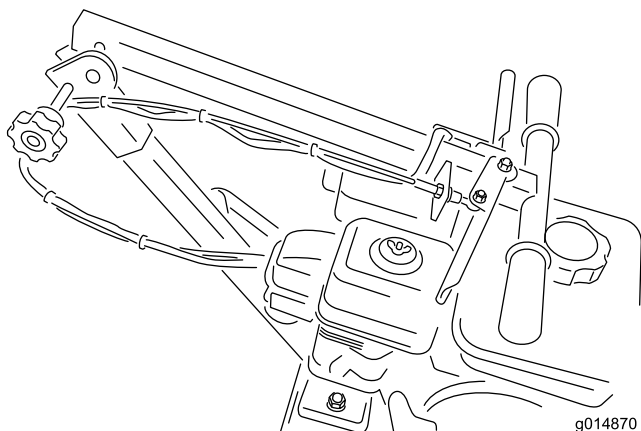


Figure 5

Manette d'accélérateur et barre de sécurité

La manette d'accélérateur régule le régime moteur. Lorsque la manette est abaissée en position désengagée, le moteur tourne au ralenti. Cette position est également la position de démarrage. Lorsque la manette d'accélérateur est serrée, le régime moteur augmente et l'embrayage centrifuge s'engage, ce qui fait tourner le disque de coupe.

La barre de sécurité commande le fonctionnement du moteur. Maintenez la barre de sécurité contre le guidon pour désactiver le disjoncteur de sécurité et permettre au moteur de démarrer. Le moteur s'arrête lorsque vous relâchez la barre de sécurité.

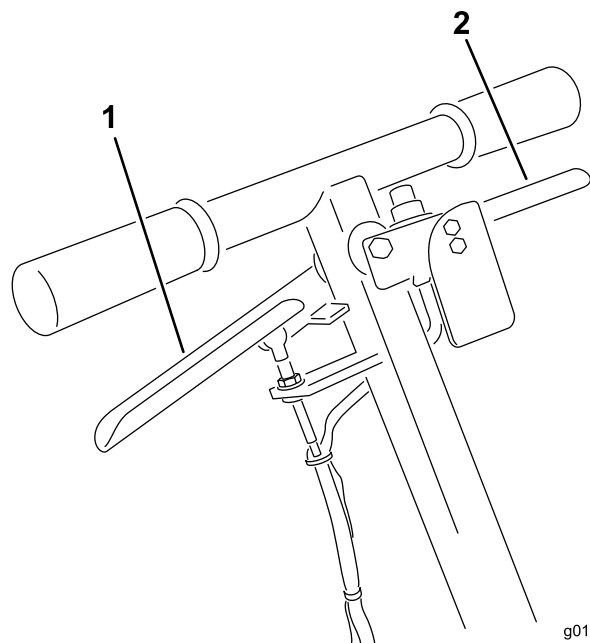


Figure 6

1. Manette d'accélérateur
2. Barre de sécurité

Frein de stationnement

Le frein de stationnement empêche la roue gauche de tourner, ce qui immobilise la machine et facilite le déplacement latéral de la lame pour raboter la souche.

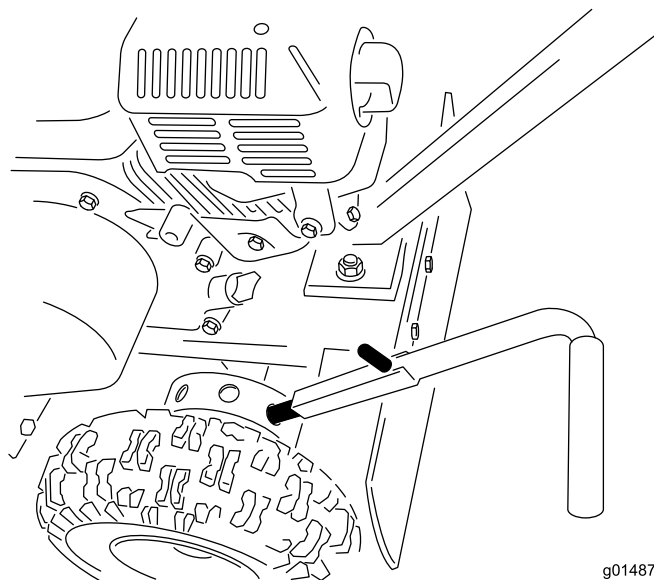


Figure 7

1. Frein serré

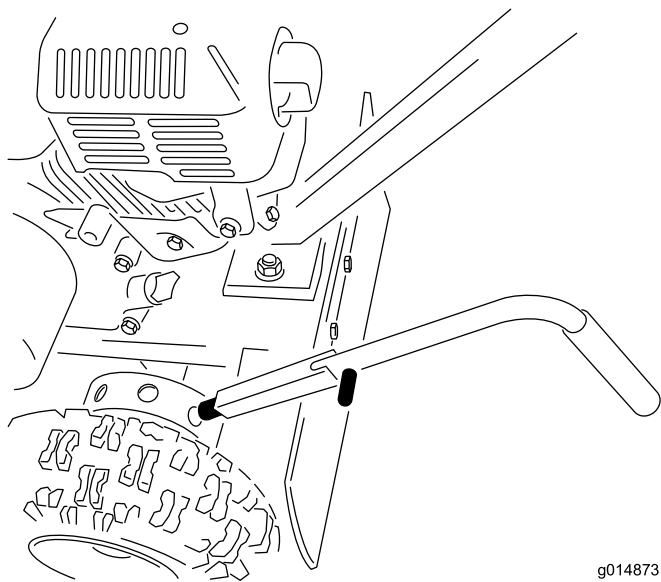


Figure 8

1. Frein desserré

Caractéristiques techniques

Remarque: Les caractéristiques et la conception sont susceptibles de modifications sans préavis.

Profondeur de coupe	Approx 30,48 cm (12")
Longueur	127 cm (50")
Largeur	56 cm (22")
Hauteur	107 cm (42")
Poids	47 kg (103 lb)

Accessoires/Équipements

Un choix d'accessoires et d'équipements Toro agréés est proposé pour améliorer et élargir les capacités de la machine. Pour obtenir la liste des accessoires et équipements agréés, contactez votre Concessionnaire Toro agréé ou votre Distributeur ou rendez-vous sur le www.Toro.com.

Utilisation

Remarque: Les côtés gauche et droit de la machine sont déterminés d'après la position de conduite.

Important: Avant d'utiliser la machine, contrôlez les niveaux de carburant et d'huile, et enlevez les débris éventuellement accumulés sur la machine. Vérifiez également que personne ne se trouve sur la zone de travail et qu'elle est débarrassée de tout débris. Marquez aussi l'emplacement de toutes les conduites souterraines.

Avant l'utilisation

- Dégagez la terre autour de la souche et enlevez les pierres qui pourraient vous gêner. Vérifiez que rien ne traîne sur le terrain (câbles électriques, fil de fer barbelé, etc.)
- Coupez ou réduisez la taille de la souche à la tronçonneuse.
- Lisez attentivement les autocollants de sécurité de la machine.
- Portez un casque, des protecteurs d'oreilles et des lunettes de sécurité. Une visière à maille n'offre pas une protection des yeux suffisante et doit être complétée par des lunettes de sécurité.
- Familiarisez-vous avec toutes les règles de sécurité et procédures d'arrêt décrites dans le Manuel de l'utilisateur.
- Vérifiez la présence et l'état des protections.
- Vérifiez la présence et l'état des lames et des dents.
- Vérifiez que le périmètre de travail, les dents et, en particulier, la souche, sont débarrassés de tout objet métallique (fil de fer, clous, etc.) dont l'éjection pourrait causer des blessures aux personnes à proximité et des dommages matériels.
- Assurez-vous que personne, y compris enfants et animaux, ne se trouve à moins de 15 m (50 pieds) de la machine. Des débris peuvent être projetés et blesser personnes et animaux.

Ajout de carburant

Utilisez de l'essence sans plomb (indice d'octane 87 ou plus à la pompe). À défaut d'essence ordinaire sans plomb, de l'essence ordinaire au plomb peut être utilisée à la rigueur.

▲ DANGER

Dans certaines circonstances, l'essence est extrêmement inflammable et hautement explosive. Un incendie ou une explosion causé(e) par l'essence peut vous brûler, ainsi que d'autres personnes, et causer des dommages matériels.

- Faites le plein du réservoir à l'extérieur, dans un endroit bien dégagé, lorsque le moteur est froid. Essuyez toute essence répandue.
- Ne faites jamais le plein du réservoir de carburant à l'intérieur d'une remorque fermée.
- Ne remplissez pas le réservoir complètement. Versez la quantité de carburant voulue pour que le niveau se trouve entre 6 et 13 mm (1/4 et 1/2 po) au-dessous de la base du goulot de remplissage. L'espace au-dessus doit rester vide pour permettre à l'essence de se dilater.
- Ne fumez jamais en manipulant de l'essence et tenez-vous à l'écart des flammes nues ou sources d'étincelles qui pourraient enflammer les vapeurs d'essence.
- Conservez l'essence dans un récipient homologué et hors de portée des enfants. N'achetez et ne stockez jamais plus que la quantité d'essence consommée en un mois.
- N'utilisez pas la machine si elle n'est pas équipée du système d'échappement complet et en bon état de marche.

⚠ DANGER

Dans certaines circonstances, de l'électricité statique peut se former lors du ravitaillement, produire une étincelle et enflammer les vapeurs d'essence. Un incendie ou une explosion causé(e) par l'essence peut vous brûler, ainsi que d'autres personnes, et causer des dommages matériels.

- Posez toujours les bidons d'essence sur le sol, à l'écart du véhicule, avant de les remplir.
- Ne remplissez pas les bidons d'essence à l'intérieur d'un véhicule ou dans la caisse d'un véhicule utilitaire, car la moquette intérieure ou le revêtement en matière plastique de la caisse risque d'isoler le bidon et de freiner l'élimination de l'électricité statique éventuellement produite.
- Si possible, descendez la machine du véhicule ou de la remorque et posez-la à terre avant de remplir le réservoir de carburant.
- Si ce n'est pas possible, laissez la machine dans le véhicule ou sur la remorque, mais remplissez le réservoir à l'aide d'un bidon, et non directement à la pompe.
- En cas de remplissage à la pompe, maintenez tout le temps le pistolet en contact avec le bord du réservoir ou du bidon, jusqu'à ce que le remplissage soit terminé.

Important: N'utilisez jamais de méthanol, d'essence contenant du méthanol ou de carburol contenant plus de 10% d'éthanol, sous peine d'endommager le système d'alimentation. Ne mélangez pas d'huile à l'essence.

Utilisation d'un stabilisateur/conditionneur

Utilisez un additif stabilisateur/conditionneur dans la machine pour :

- que l'essence reste fraîche pendant une période maximale de 90 jours (au-delà de cette durée, vidangez le réservoir).
- nettoyer le moteur lorsqu'il tourne..
- éviter la formation de dépôt gommeux dans le circuit d'alimentation, qui pourrait entraîner des problèmes de démarrage.

Important: N'utilisez pas d'additifs contenant du méthanol ou de l'éthanol.

Ajoutez à l'essence une quantité appropriée de stabilisateur/conditionneur.

Remarque: L'efficacité des stabilisateurs/conditionneurs est maximale lorsqu'on les ajoute à de l'essence fraîche. Pour réduire les risques de formation de dépôts visqueux dans le circuit d'alimentation, utilisez toujours un stabilisateur dans l'essence.

Remplissage du réservoir de carburant

1. Garez la machine sur une surface plane et horizontale, abaissez la dessoucheuse et arrêtez le moteur.
2. Laissez refroidir le moteur.
3. Nettoyez la surface autour du bouchon du réservoir et enlevez le bouchon (Figure 9).

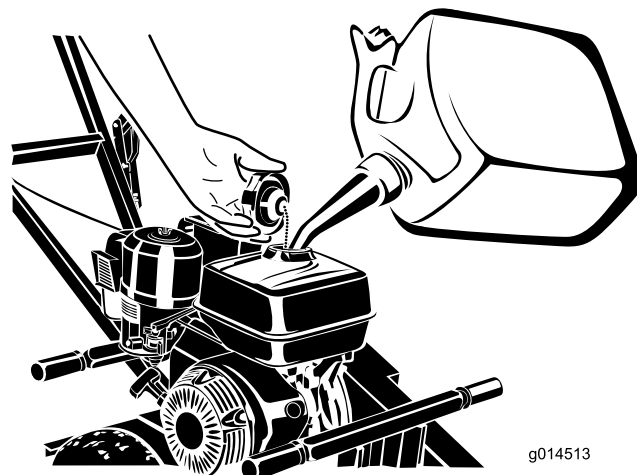


Figure 9

la vue peut varier selon le modèle

1. Bouchon du réservoir de carburant
 4. Ajoutez suffisamment d'essence sans plomb pour que le niveau se trouve entre 6 et 13 mm (1/4 à 1/2 po) au-dessous de la base du goulot de remplissage.
- Important:** L'espace au-dessus doit rester vide pour permettre à l'essence de se dilater. Ne remplissez pas le réservoir complètement.
5. Revissez solidement le bouchon du réservoir.
 6. Essayez l'essence éventuellement répandue.

Contrôle du niveau d'huile moteur

Périodicité des entretiens: À chaque utilisation ou une fois par jour

1. Inclinez la machine pour mettre le moteur de niveau puis arrêtez le moteur.
2. Laissez refroidir le moteur.
3. Nettoyez la surface autour de la jauge d'huile.

- Retirez la jauge d'huile et essuyez soigneusement l'extrémité.
- Insérez la jauge au fond du tube, sans la visser dans le goulot de remplissage.
- Sortez de nouveau la jauge et examinez l'extrémité. Le niveau d'huile doit atteindre le haut de la plage supérieure (Figure 10).

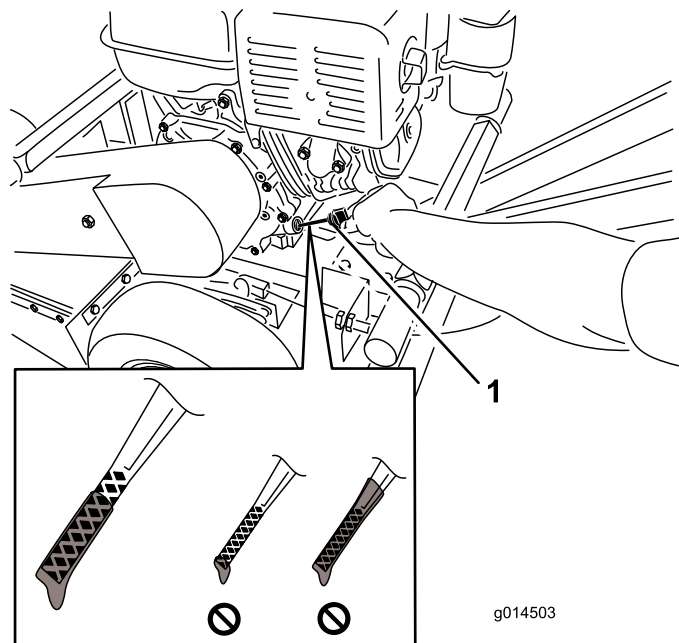


Figure 10

- Jauge d'huile

Important: Le moteur sera endommagé s'il fonctionne avec un niveau d'huile insuffisant. Ce type de dommage n'est pas couvert par la garantie.

Le moteur est équipé d'un système d'alerte de bas niveau d'huile qui coupe automatiquement le moteur si le niveau d'huile descend en dessous de la limite de sécurité.

- Si le niveau est bas, versez lentement une quantité d'huile suffisante dans le carter moteur pour faire monter le niveau à la limite supérieure.

Important: Ne remplissez pas excessivement le carter sous peine d'endommager le moteur.

- Remettez la jauge d'huile en place.

Démarrage et arrêt du moteur

Démarrage du moteur

- Tournez le robinet d'arrivée de carburant complètement à droite en position OUVERTE.

- Déplacez la manette de starter vers la gauche en position en service (ON) pour démarrer le moteur à froid.

Remarque: L'usage du starter n'est généralement pas requis si le moteur est chaud.

- Maintenez la barre de sécurité contre le guidon et appuyez sur le guidon pour soulever le disque de coupe du sol.
- Tirez lentement la poignée du lanceur jusqu'à ce que vous sentiez une résistance, puis tirez vigoureusement. Relâchez lentement la poignée du lanceur.
- Lorsque le moteur a démarré, ramenez progressivement la manette de starter en position hors service. Si le moteur cale ou hésite, poussez-la de nouveau en position en service jusqu'à ce que le moteur soit chaud. Réglez le starter à la position Hors service.
- Maintenez la manette d'accélérateur contre le guidon pour faire tourner le disque de coupe.

Arrêt du moteur

- Relâchez la manette d'accélérateur.

Remarque: Si le moteur a déjà beaucoup travaillé ou est encore chaud, laissez-le tourner pendant une minute avant de relâcher la barre de sécurité. Cela l'aide à refroidir avant de s'arrêter. En cas d'urgence, le moteur peut être arrêté immédiatement.

- Relâchez la barre de sécurité pour arrêter le moteur.
- Tournez le robinet d'arrivée de carburant complètement à gauche en position fermée.

Rabotage des souches

Positionnez la dessoucheuse en plaçant la lame près du haut et de l'avant de la souche.

▲ DANGER

La machine est très coupante et peut sectionner mains et pieds.

- Ne quittez pas la position d'utilisation tant que la machine est en marche et ne vous approchez pas du disque de coupe.
- Tenez tout le monde à une distance suffisante de la machine.
- Arrêtez immédiatement la machine si des personnes ou des animaux apparaissent dans la zone de travail.

⚠ ATTENTION

Le broyage des souches entraîne la projection de copeaux, de terre et d'autres débris qui peuvent vous blesser ainsi que les personnes à proximité.

- Protégez-vous toujours les yeux quand vous utilisez la machine.
- Tenez tout le monde à une distance suffisante de la machine.

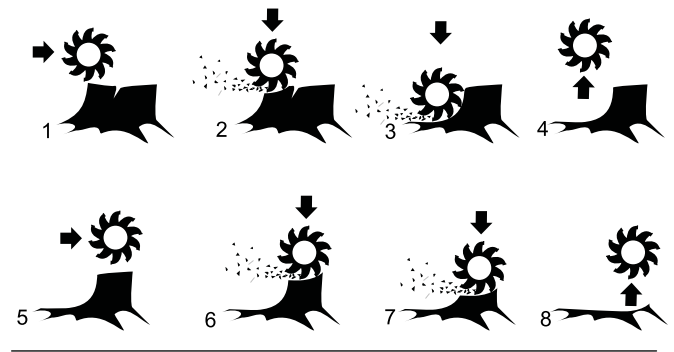


Figure 11

⚠ ATTENTION

Portez toujours des protège-oreilles lorsque vous utilisez la machine.

1. Relâchez la manette d'accélérateur en position désengagée.
2. Mettez le moteur en marche (voir Démarrage du moteur (page 12)).
3. Laissez chauffer le moteur au ralenti pendant deux minutes.
4. Appuyez sur le guidon pour soulever le disque de coupe du sol.
5. Maintenez la manette d'accélérateur contre le guidon en position engagée ; l'embrayage centrifuge est alors engagé et le disque de coupe tourne.
6. Amenez la machine à l'avant de la souche et serrez le frein de stationnement.
7. Écartez le disque de coupe de côté puis abaissez-le d'environ 1,25 à 2,55 cm (1/2 à 1") dans le coin supérieur avant de la souche. Déplacez le disque de coupe d'avant en arrière, en l'abaissant d'environ 1,25 à 2,55 cm (1/2 à 1") avant chaque déplacement, jusqu'à ce que la partie avant de la souche soit rabotée au niveau sol (Figure 11).
8. Relevez le disque de coupe jusqu'à ce que son centre se trouve juste au-dessus du haut de la souche.
9. Placez le disque de coupe d'un côté, desserrez le frein de stationnement et avancez la machine, puis resserrez le frein de stationnement.
10. Continuez ainsi à passer d'un côté à l'autre de la souche en avançant la machine avant chaque passage et en coupant à une profondeur d'environ 1,25 à 2,55 cm (1/2 à 1") à chaque fois.
11. Poursuivez l'opération jusqu'à ce que la partie de la souche dépassant du sol ait entièrement disparu, en prenant soin de ne pas couper en dessous du niveau du sol à ce stade.
12. Relâchez la manette d'accélérateur en position désengagée et appuyez sur le guidon pour soulever le disque de coupe du sol. Patientez une dizaine de secondes jusqu'à l'arrêt du disque de coupe puis desserrez le frein et dégagez la machine de la souche.
13. Éloignez la machine de la souche et ratissez les copeaux qui l'entourent.
14. Amenez la machine à l'avant de la souche et serrez le frein de stationnement.
15. Maintenez la manette d'accélérateur contre le guidon en position engagée ; l'embrayage centrifuge est alors engagé et le disque de coupe tourne.
16. Poursuivez l'opération en répétant l'étape 10 autant de fois que nécessaire jusqu'à ce que la souche soit en dessous du niveau du sol à la profondeur voulue.
17. Arrêtez la machine (voir Arrêt du moteur (page 12)).

Remarque: Ne reposez **PAS** l'avant de la machine sur le sol avant d'être sûr que le disque de coupe a cessé de tourner.

⚠ DANGER

Le disque de coupe en rotation est très dangereux et peut sectionner mains et pieds.

Restez au poste d'utilisation et attendez l'arrêt complet du disque de coupe avant de faire quoi que ce soit d'autre.

Entretien

Remarque: Les côtés gauche et droit de la machine sont déterminés d'après la position de conduite.

Important: Vous pouvez basculer la machine en arrière ou sur le côté pour faciliter le nettoyage ou l'entretien, mais jamais pendant plus de 2 minutes. Si la machine reste trop longtemps dans cette position, le moteur peut être endommagé

par l'essence qui s'écoule dans le carter. Si cela se produit, faites une vidange d'huile supplémentaire. Faites ensuite tourner le moteur de quelques tours avec le lanceur avant de le remettre en marche.

Programme d'entretien recommandé

Périodicité d'entretien	Procédure d'entretien
Après les 25 premières heures de fonctionnement	<ul style="list-style-type: none">• Changez l'huile moteur.
À chaque utilisation ou une fois par jour	<ul style="list-style-type: none">• Contrôlez le niveau d'huile moteur.• Graissez la machine.• Contrôlez le filtre à air.• Contrôlez les lames du disque de coupe.• Nettoyez les débris sur la machine
Toutes les 25 heures	<ul style="list-style-type: none">• Vérifiez la tension de la courroie d'entraînement.
Toutes les 50 heures	<ul style="list-style-type: none">• Faites l'entretien du filtre à air.
Toutes les 100 heures	<ul style="list-style-type: none">• Changez l'huile moteur.• Nettoyez la cuvette de décantation.• Contrôlez les bougies.
Toutes les 200 heures	<ul style="list-style-type: none">• Remplacez le filtre à air.
Une fois par an ou avant le remisage	<ul style="list-style-type: none">• Changez l'huile moteur.• Nettoyez la cuvette de décantation.

Important: Reportez-vous au *Manuel d'utilisation du moteur* pour toutes procédures d'entretien supplémentaires.

Lubrification

Graissage de la machine

Périodicité des entretiens: À chaque utilisation ou une fois par jour

Type de graisse : universelle.

1. Nettoyez les graisseurs à l'aide d'un chiffon.
2. Raccordez une pompe à graisse à chaque graisseur.
3. Lubrifier deux graisseurs, un sur chaque roulement du disque de coupe.

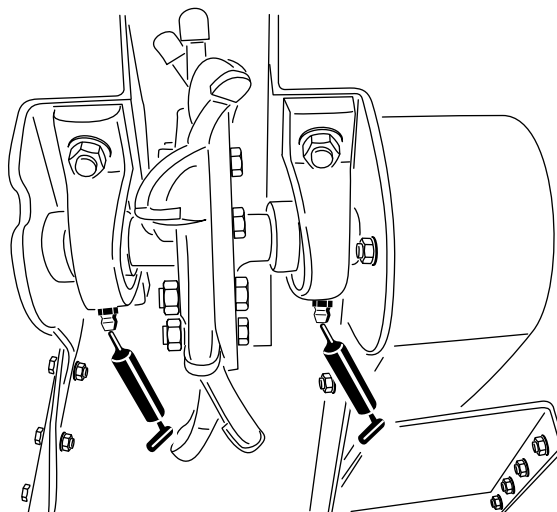


Figure 12

4. Injectez de la graisse dans les graisseurs jusqu'à ce qu'elle commence à sortir des roulements (environ 3 injections).
5. Essuyez tout excès de graisse.

Important: Injectez la graisse lentement et avec précaution pour ne pas endommager les joints des roulements.

Entretien du moteur

Entretien du filtre à air

Périodicité des entretiens: À chaque utilisation ou une fois par jour

Le filtre à air cyclone recueille grosses particules qui se déposent ensuite dans la cuvette. Lorsqu'une couche de saleté est visible au fond de la cuvette, nettoyez le boîtier du cyclone, les conduits d'air et la crépine d'entrée d'air.

Entretien du filtre à air cyclone

Périodicité des entretiens: Toutes les 50 heures

1. Retirez les 3 vis qui fixent le boîtier du cyclone.
2. Déposez le boîtier avec la crépine d'entrée d'air et déposez les conduits d'air.

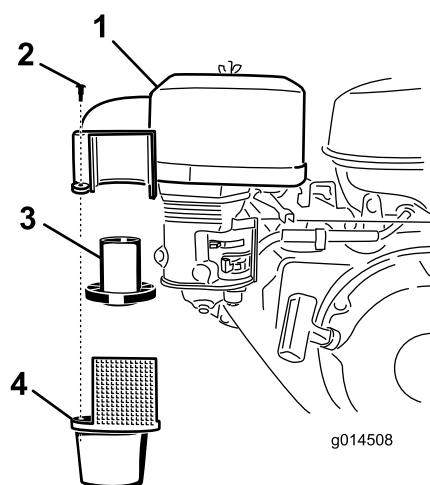


Figure 13

- | | |
|-----------------------|---|
| 1. Boîtier de cyclone | 3. Conduits d'air |
| 2. Vis | 4. Boîtier de cyclone avec crépine d'entrée d'air |

Remarque: Les conduits d'air peuvent rester dans la partie supérieure ou suivre le boîtier lorsque celui-ci est déposé.

3. Nettoyez les composants avec de l'eau, du détergent et une brosse. Séchez soigneusement le tout.
4. Placez les conduits d'air dans le boîtier du cyclone.
5. Insérez le boîtier en place en veillant à engager correctement la partie supérieure. **NE FORCEZ PAS.** Alignez en place avant de serrer les vis.

Remplacement du filtre à air

Périodicité des entretiens: Toutes les 200 heures

Si le moteur perd de la puissance, produit de la fumée noire ou ne tourne pas régulièrement, il est possible que le filtre à air soit colmaté.

1. Retirez l'écrou à oreilles et sortez le filtre cyclone avec son capot (Figure 14).

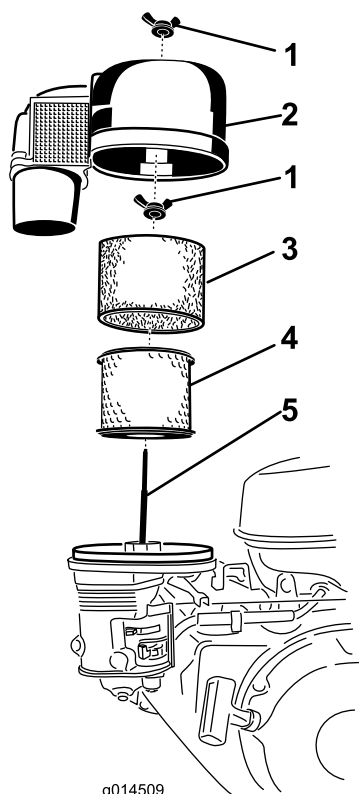


Figure 14

- | | |
|------------------------|-----------------|
| 1. Écrou à oreilles | 4. Filtre à air |
| 2. Filtre air cyclone | 5. Goujon |
| 3. Préfiltre en mousse | |

2. Déposez le préfiltre en mousse et nettoyez-le comme suit
 - A. Lavez le préfiltre avec de l'eau et un détergent doux.
 - B. Pressez-le dans un chiffon propre pour le sécher.
 - C. Imbibez-le d'huile moteur fraîche.
 - D. Entourez le filtre de chiffon absorbant et pressez-le délicatement pour éliminer l'excédent d'huile.
3. Retirez l'écrou à oreilles en haut du filtre à air et déposez l'élément en papier.
4. Tapotez l'élément en papier sur une surface fixe pour enlever la poussière. Remplacez l'élément en papier s'il est encore encrassé ou endommagé. Le filtre en papier doit être remplacé toutes les 200 heures.

Important: Ne soufflez pas d'air comprimé sur l'élément en papier au risque de l'endommager.

5. Montez l'élément en papier dans le boîtier du filtre à air et fixez-le avec l'écrou à oreilles.

6. Placez le préfiltre en mousse sur l'élément en papier.
7. Posez le filtre cyclone avec le couvercle et fixez-le en place avec l'écrou à oreilles.

Vidange et remplacement de l'huile moteur

Remarque: Vidangez l'huile plus souvent si vous travaillez dans des conditions très poussiéreuses ou sableuses.

Type d'huile: Huile détergente de classe de service API SJ ou supérieure.

Capacité du carter: 0,6 litre (0,63 pte)

Viscosité: SAE 10W-30 recommandé pour l'usage général.

Vidange et remplacement de l'huile moteur

Périodicité des entretiens: Après les 25 premières heures de fonctionnement

Toutes les 100 heures

Une fois par an ou avant le remisage

1. Démarrez le moteur et laissez-le tourner pendant cinq minutes. Cela permet de réchauffer l'huile, qui s'écoule alors plus facilement.
2. Garez la machine avec le côté de la vidange légèrement plus bas que l'autre côté, pour pouvoir évacuer toute l'huile.
3. Serrez le frein de stationnement et arrêtez le moteur.
4. Placez un bac de vidange sous l'orifice de vidange.
5. Retirez le bouchon de vidange et vidangez l'huile par la fente du châssis (Figure 15).

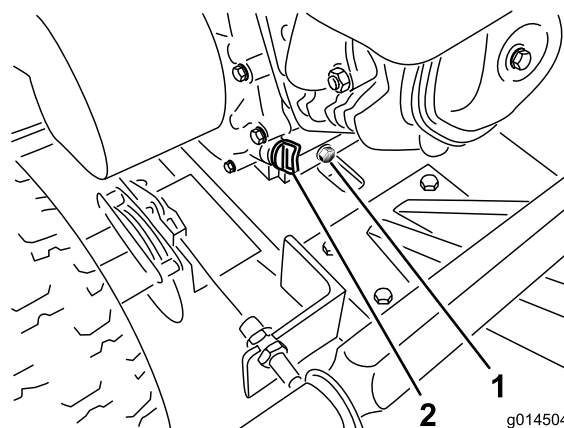


Figure 15

- | | |
|-------------------------------|-----------------------------------|
| 1. Orifice de vidange d'huile | 2. Bouchon de remplissage d'huile |
|-------------------------------|-----------------------------------|

- Lorsque la vidange d'huile est terminée, remettez le bouchon en place et essuyez les coulées d'huile éventuelles.

Remarque: Débarrassez-vous de l'huile usagée dans un centre de recyclage agréé.

- Enlevez le bouchon de remplissage et versez lentement environ 80% de la quantité d'huile spécifiée dans le moteur (Figure 15).
- Versez avec précaution suffisamment d'huile pour que le niveau atteigne le repère sur la jauge (voir la page).
- Remettez le bouchon de remplissage d'huile.

Nettoyage de la cuvette de décantation

Périodicité des entretiens: Toutes les 100 heures

Une fois par an ou avant le remisage

Une cuvette de décantation située sous le robinet d'arrivée de carburant recueille les saletés présentes dans le carburant.

- Tournez le robinet d'arrivée de carburant complètement à gauche en position fermée.
- Dévissez la cuvette de décantation. Attention à ne pas perdre le joint torique (Figure 16).

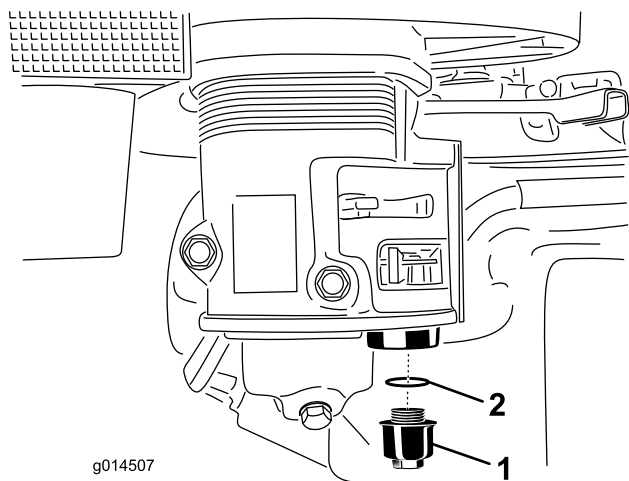


Figure 16

- Cuvette de décantation
- Joint torique

- Nettoyez le réservoir et le joint torique avec un solvant de nettoyage et séchez-le soigneusement.

Remarque: Attention à ne pas perdre le joint torique.

- Remplacez le joint torique dans la rainure et reposez la cuvette de décantation.
- Tournez le robinet d'arrivée de carburant complètement à droite en position ouverte, et

recherchez des fuites éventuelles. Remplacez le joint torique si des fuites sont constatées.

Entretien de la bougie

Périodicité des entretiens: Toutes les 100 heures—Contrôlez les bougies.

Avant de monter une bougie, vérifiez si l'écartement entre l'électrode centrale et l'électrode latérale est correct. Utilisez une clé à bougies pour déposer et reposer les bougies, et une jauge d'épaisseur pour contrôler et régler l'écartement des électrodes. Remplacez la bougie au besoin.

Type: BPR6ES (NKG) ou équivalent

Écartement des électrodes: 0,70 à 0,80mm (0,28 à 0,031")

Retrait de la bougie

- Abaissez la dessoucheuse et arrêtez la machine (voir Arrêt du moteur (page 12)).
- Débranchez le fil de la bougie (Figure 17).

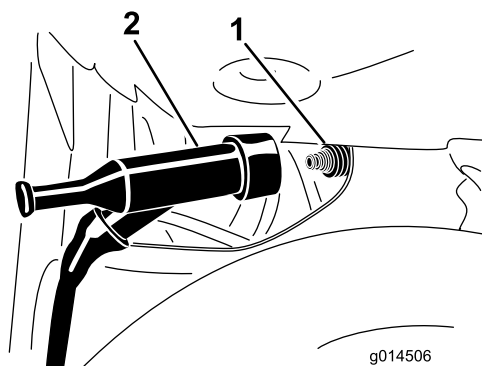


Figure 17

- Bougie
- Fil

- Nettoyez la surface autour de la bougie.
- Déposez la bougie et la rondelle métallique.

Contrôle de la bougie

1. Examinez le centre de la bougie (Figure 18). Si le bec de l'isolateur est recouvert d'un léger dépôt gris ou brun, le moteur fonctionne correctement. S'il est couvert d'un dépôt noir, c'est généralement signe que le filtre à air est encrassé.

Important: Ne nettoyez jamais la bougie. Remplacez toujours la bougie si elle est recouverte d'un dépôt noir ou d'une couche grasse, si elle présente des fissures ou si les électrodes sont usées.

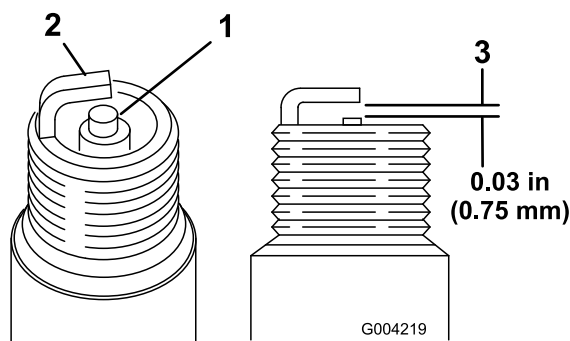


Figure 18

1. Électrode centrale et bec
2. Électrode latérale
3. Écartement (pas à l'échelle)

2. Contrôlez l'écartement entre l'électrode centrale et l'électrode latérale (Figure 18). Courbez l'électrode latérale (Figure 18) si l'écartement est incorrect.

Montage de la bougie

1. Vissez la bougie dans l'orifice prévu.
2. Serrez la bougie à 27Nm (20pi-lb).
3. Reconnectez le fil à la bougie.

Entretien des courroies

Contrôle de la tension de la courroie d'entraînement

Périodicité des entretiens: Toutes les 25 heures

Remarque: Remplacez la courroie si elle semble usée, fissurée ou endommagée.

1. Coupez le moteur et attendez l'arrêt complet de toutes les pièces en rotation.
2. Retirez les vis de fixation du couvercle de la courroie (Figure 19).

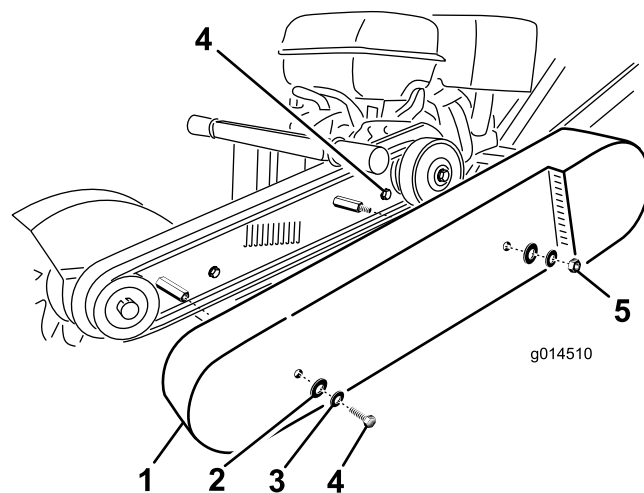


Figure 19

la vue peut varier selon le modèle

1. Protège-courroie
2. Rondelle-frein
3. Rondelle
4. Boulon
5. Écrou

3. Serrez doucement les deux brins de la courroie pour vérifier la tension. Vous devriez obtenir une flèche d'environ 6 à 10mm (1/4 - 3/8").

Important: Pour prolonger la durée de vie de la courroie, elle doit être tendue correctement en permanence. Si la courroie est trop lâche, le disque de coupe glissera de manière excessive et la courroie sera défectueuse prématurément. Une courroie trop tendue peut s'user rapidement et entraîner une défaillance des roulements et de l'arbre.

Réglage de la courroie d'entraînement

1. Déposez le protège-courroie.
2. Desserrez les 4 boulons du support moteur ainsi que les écrous de blocage qui maintiennent le boulon de réglage (Figure 20).

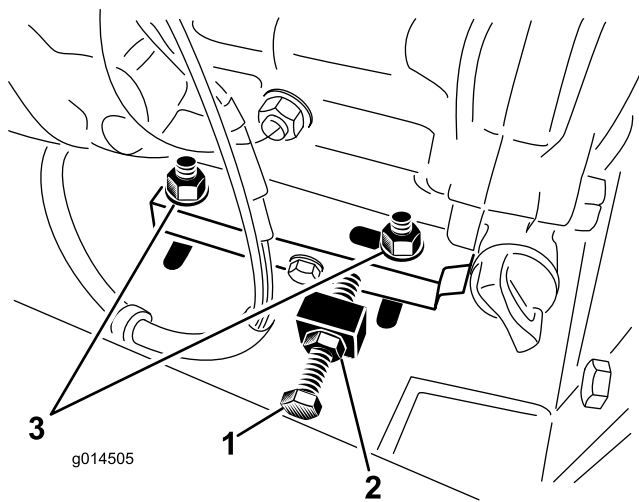


Figure 20

- 1. Boulon
- 2. Écrou de blocage
- 3. Boulon de support moteur

Entretien de la dessoucheuse

Contrôle des lames du disque de coupe

Périodicité des entretiens: À chaque utilisation ou une fois par jour

Les lames du disque de coupe font partie des éléments les plus importants de la machine. Elle sont aussi les plus sujettes aux dommages et à l'usure. Pendant le rabotage, les lames sont non seulement en contact avec le bois, mais également avec un grand nombre de matières abrasives et d'objets comme la terre, des cailloux et parfois une grosse pierre ou des débris enfouis.

L'usure et la perte de dents peuvent compromettre significativement l'efficacité et les performances de la machine. Pour cette raison, il est important de vérifier fréquemment l'état de toutes les dents et de remplacer les parties de la lame qui sont endommagées ou usées (Figure 21).

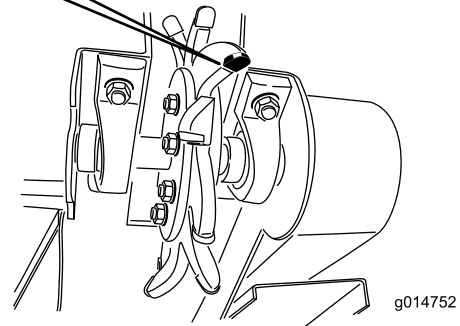
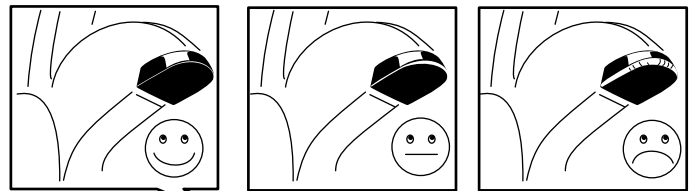


Figure 21

- 3. Tournez le boulon de réglage à tête carrée du châssis dans le sens horaire pour tendre la courroie et dans le sens antihoraire pour la détendre

Important: Important : Resserrez tous les boulons du moteur lorsque la courroie est correctement tendue.

- 4. Reposez le couvercle de la courroie avec les fixations retirées précédemment.

Remplacement des lames du disque de coupe

- 1. Enlevez les saletés présentes sur le disque de coupe et les brides de montage.
- 2. Retirez les deux boulons qui retiennent chaque section de la lame. Attention à ne pas faire tomber une section en la desserrant, car elle pourrait s'ébrécher (Figure 22).

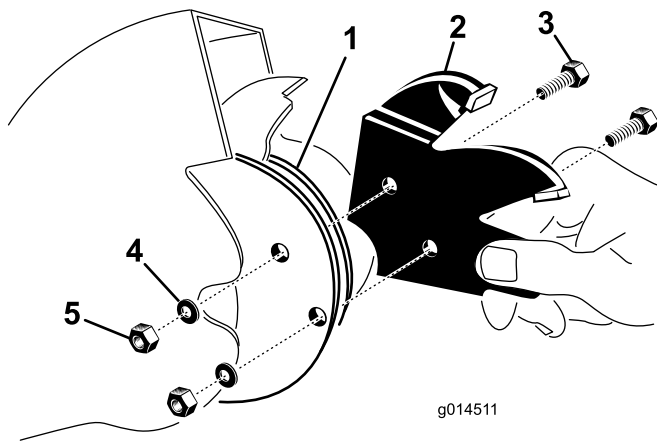


Figure 22

Nettoyage

Nettoyage des débris sur la machine

La durée de vie de la machine sera augmentée par un nettoyage et un lavage réguliers. Nettoyez la machine immédiatement après chaque utilisation, avant que la saleté ait le temps de durcir.

Avant le nettoyage, vérifiez que le bouchon du réservoir de carburant est bien serré pour éviter de faire rentrer de l'eau à l'intérieur.

Soyez prudent si vous utilisez un jet haute pression afin de ne pas endommager les autocollants de sécurité, les panneaux d'instruction et le moteur.

Important: Lubrifiez les roulements de lames du disque de coupe après le nettoyage.

3. Vérifiez si les sections présentent des fissures. Remplacez la section si elle est fendue ou si des dents manquent ou sont usées.

Remarque: Lors du remplacement d'une section de lame du disque de coupe, veillez à la placer dans l'alignement correct pour la rotation de la lame.

4. Insérez la section entre les bris de montage de la lame (Figure 22) et fixez-les avec 2 boulons, rondelles de blocage et écrous.
5. Serrez les fixations à un couple de 37 à 45 Nm (27 à 33 lb-pi).

Remisage

Si vous ne comptez pas utiliser la machine avant plus d'un mois, préparez-la au remisage comme suit:

1. Débarrassez l'extérieur de la machine, et surtout le moteur, des saletés et de la crasse. Éliminez les saletés, les copeaux et la sciure pouvant se trouver sur les ailettes de la culasse et le boîtier du ventilateur.

Important: La machine peut être lavée à l'eau avec un détergent doux.

2. Ajoutez un additif stabilisateur/conditionneur à base de pétrole dans le réservoir de carburant. Respectez les proportions spécifiées par le fabricant du stabilisateur (8 ml par litre [1 oz par gallon américain]). N'utilisez **pas** de stabilisateur à base d'alcool (éthanol ou méthanol).

Remarque: L'efficacité des stabilisateurs/conditionneurs est maximale lorsqu'on les ajoute à de l'essence fraîche et qu'on les utilise de manière systématique.

Important: Ne conservez pas l'essence traitée/additionnée de stabilisateur plus de 3 mois.

3. Faites tourner le moteur pendant 5 minutes pour faire circuler l'essence traitée dans tout le circuit d'alimentation.
4. Arrêtez le moteur, laissez-le refroidir et vidangez le réservoir de carburant à l'aide d'un siphon à pompe. Débarrassez-vous du carburant conformément à la réglementation locale en matière d'environnement.
5. Redémarrez le moteur et laissez-le tourner jusqu'à ce qu'il s'arrête faute de carburant.
6. Actionnez le starter.
7. Remettez le moteur en marche et faites-le tourner jusqu'à ce qu'il ne veuille plus démarrer.
8. Nettoyez la cuvette de sédimentation (voir Nettoyage de la cuvette de décantation (page 18)).
9. Faites l'entretien du filtre à air (voir Entretien du filtre à air cyclone (page 16) et Remplacement du filtre à air (page 16)).
10. Vidangez et remplacez l'huile moteur (voir (page)).
11. Déposez la bougie et vérifiez son état (voir (page)).
12. Versez deux cuillerées à soupe d'huile moteur dans l'ouverture laissée par la bougie.
13. Actionnez lentement le démarreur pour faire tourner le moteur et bien répartir l'huile dans le cylindre.

14. Remettez la bougie en place mais sans rebrancher le fil.
15. Graissez les roulements du disque de coupe (voir Graissage de la machine (page 15)).
16. Contrôlez et resserrez tous les boulons, écrous et vis. Réparez ou remplacez toute pièce endommagée.
17. Peignez toutes les surfaces métalliques éraflées ou mises à nu. Une peinture pour retouches est disponible chez les vendeurs réparateurs agréés.
18. Rangez la machine dans endroit propre et sec, comme un garage ou une remise.
19. Couvrez-la pour la protéger et la garder propre.

Dépistage des défauts

Problème	Cause possible	Mesure corrective
Le moteur ne démarre pas.	<ol style="list-style-type: none"> 1. Le commutateur du moteur est en position d'arrêt. 2. Le robinet d'arrivée de carburant est fermé. 3. Le starter est en service. 4. Le réservoir de carburant est vide. 5. Le fil de la bougie est mal connecté ou débranché. 	<ol style="list-style-type: none"> 1. Serrez la barre de sécurité contre le guidon. 2. Ouvrez le robinet d'arrivée de carburant. 3. Utilisez le starter pour démarrer le moteur à froid. 4. Faites le plein de carburant frais. 5. Vérifiez l'écartement des électrodes et nettoyez ou remplacez la bougie.
Le moteur ne tourne pas régulièrement.	<ol style="list-style-type: none"> 1. Le starter est encore en service. 2. Le filtre à air est colmaté. 3. La conduite d'alimentation est bouchée. 4. Eau ou contaminants dans le carburant. 5. Les bougies sont usées ou calaminées. 	<ol style="list-style-type: none"> 1. Mettez starter hors service. 2. Nettoyez ou remplacez le filtre à air. 3. Nettoyez la cuvette de décantation. 4. Vidangez le réservoir de carburant et remplissez-le de carburant frais. 5. Vérifiez l'écartement des électrodes et nettoyez ou remplacez la bougie.
La courroie glisse ou se déchausse	<ol style="list-style-type: none"> 1. Tension de la courroie insuffisante. 	<ol style="list-style-type: none"> 1. Ajustez la tension de la courroie. Réduisez la profondeur de coupe.
Le disque de coupe ne tourne pas.	<ol style="list-style-type: none"> 1. Le régime moteur est insuffisant pour activer l'embrayage centrifuge. 2. Tension de la courroie insuffisante. 3. Les patins d'embrayage sont usés. 	<ol style="list-style-type: none"> 1. Placez la manette d'accélérateur en position engagée. 2. Ajustez la tension de la courroie. 3. Remplacez l'embrayage.
Le disque de coupe continue de tourner.	<ol style="list-style-type: none"> 1. Charge excessive du moteur. 2. La courroie s'est déchaussée ou est cassée. 3. Les ressorts d'embrayage sont affaiblis ou cassés. 	<ol style="list-style-type: none"> 1. Placez la manette d'accélérateur en position désengagée. 2. Remplacez la courroie d'entraînement. 3. Remplacez l'embrayage.



Garantie du matériel utilitaire compact Toro

Garantie limitée d'un an

Produits CUE

Conditions et produits couverts

La société The Toro® Company et sa filiale, la société Toro Warranty, en vertu de l'accord passé entre elles, certifient conjointement que votre matériel utilitaire compact Toro (le "Produit") ne présente aucun défaut de matériau ou vice de fabrication. Durées de la garantie à compter de la date d'achat:

Produits	Période de garantie
Chargeuses, trancheuses, dessoucheuses, déchiqueteuses, fendeuses de bûches et accessoires	Tous les ans ou toutes les 1000 heures de fonctionnement, la première échéance prévalant
Moteurs Kohler	3 ans
Tous autres moteurs	2 ans

Lorsqu'une condition couverte par la garantie existe, nous nous engageons à réparer le Produit gratuitement, frais de diagnostic, pièces et main-d'œuvre compris.

Comment faire intervenir la garantie?

Si vous pensez que votre produit Toro présente un défaut de fabrication ou de matériau, procédez comme suit:

1. Demandez à un dépositaire réparateur de matériel utilitaire compact (CUE) Toro agréé de prendre en charge votre produit. Pour trouver le dépositaire le plus proche, consultez notre site web à www.Toro.com. Vous pouvez aussi téléphoner gratuitement au service client de Toro au 888-865-5676 (États-Unis) ou au 888-865-5691 (Canada).
2. Lorsque vous vous rendez chez le réparateur, apportez le produit et une preuve d'achat (reçu).
3. Si, pour une raison quelconque, vous n'êtes pas satisfait du diagnostic de votre réparateur ou des conseils prodigués, n'hésitez pas à nous contacter à l'adresse suivante:

LCB Customer Care Department
Toro Warranty Company
8111 Lyndale Avenue South
Bloomington, MN 55420-1196, États-Unis
Numéro vert : 888-865-5676 (aux États-Unis)
Numéro vert : 888-865-5691 (au Canada)

Responsabilités du propriétaire

L'entretien de votre produit &ToroShort doit être conforme aux procédures décrites dans le *Manuel de l'utilisateur*. Cet entretien courant est à vos frais, qu'il soit effectué par vous ou par un dépositaire. Les pièces à remplacer dans le cadre de l'entretien courant ("Pièces de rechange") seront couvertes par la garantie jusqu'à la date du premier remplacement prévu. Ne pas effectuer les entretiens et réglages requis peut constituer un motif de rejet d'une déclaration au titre de la garantie.

Ce que la garantie ne couvre pas

Les défaillances ou anomalies de fonctionnement survenant au cours de la période de garantie ne sont pas toutes dues à des défauts de matériaux ou des vices de fabrication. Cette garantie expresse ne couvre pas:

- Les défaillances du produit dues à l'utilisation de pièces qui ne sont pas d'origine ou au montage et à l'utilisation d'accessoires ajoutés, modifiés ou non approuvés.
- Les défaillances de produit dues au non-respect du programme d'entretien et/ou des réglages requis
- Les défaillances du produit dues à une utilisation abusive, négligente ou dangereuse
- Les pièces non durables, sauf si elles sont défectueuses. Par exemple, les pièces consommées ou usées durant le fonctionnement normal du Produit, notamment mais pas exclusivement dents, louchets, lames, bougies, pneus, chenilles, filtres, chaînes, etc.
- Les défaillances dues à une influence extérieure. Les éléments constituant une influence extérieure comprennent, sans y être limités, les conditions atmosphériques, les pratiques de remisage, la contamination, l'utilisation de liquides de refroidissement, lubrifiants, additifs ou produits chimiques, etc. non agréés.
- Les éléments sujets à usure normale. L'usure normale comprend, mais pas exclusivement, l'usure des surfaces peintes, les autocollants ou vitres rayés, etc.
- Toute pièce couverte par une garantie fabricant séparée
- Les frais de prise à domicile et de livraison.

Conditions générales

La réparation par un réparateur de matériel utilitaire compact (CUE) Toro agréé est le seul dédommagement auquel cette garantie donne droit.

La société Toro et la société Toro Warranty déclinent toute responsabilité en cas de dommages secondaires ou indirects liés à l'utilisation des produits Toro couverts par cette garantie, notamment quant aux coûts et dépenses encourus pour se procurer un équipement ou un service de substitution durant une période raisonnable pour cause de défaillance ou d'indisponibilité en attendant la réparation sous garantie. Toutes les garanties implicites de qualité marchande et d'aptitude à l'emploi sont limitées à la durée de la garantie expresse. L'exclusion de la garantie des dommages secondaires ou indirects, ou les restrictions concernant la durée de la garantie implicite, ne sont pas autorisées dans certains états et peuvent donc ne pas s'appliquer dans votre cas.

Cette garantie vous accorde des droits spécifiques, auxquels peuvent s'ajouter d'autres droits qui varient selon les états.

Il n'existe aucune autre garantie expresse, à part la garantie du moteur et la garantie du système antipollution mentionnées ci-dessous, le cas échéant. Le système antipollution de votre Produit peut être couvert par une garantie séparée répondant aux exigences de l'agence américaine de défense de l'environnement (EPA) ou de la direction californienne des ressources atmosphériques (CARB). Les limitations d'heures susmentionnées ne s'appliquent pas à la garantie du système antipollution. Pour de plus amples détails, reportez-vous à la Déclaration de garantie de conformité à la réglementation antipollution de Californie fournie avec votre Produit ou figurant dans la documentation du constructeur du moteur.

Autres pays que les États-Unis et le Canada

Pour les produits Toro exportés des États-Unis ou du Canada, demandez à votre distributeur (dépositaire) Toro la police de garantie applicable dans votre pays, région ou état. Si, pour une raison quelconque, vous n'êtes pas satisfait des services de votre distributeur, ou si vous avez du mal à vous procurer les informations de garantie, adressez-vous à l'importateur Toro. En dernier recours, adressez-vous à la société Toro Warranty.