

Multimatic™ 200

MIG/Multiprocess Power Source, Wire Feeder and Gun Package



Quick Specs

Light Industrial Applications

Light fabrication
Maintenance and repair
Mechanical contractor
Construction

Processes

MIG (GMAW)
Flux-cored (FCAW)
DC TIG (GTAW)
DC stick (SMAW)

Weld Thickness

MIG welds 24 ga.–3/8 in. steel and 18 ga.–3/8 in. aluminum
TIG welds .020–3/16 in. steel

Input Power

120 V, 20 A, 50/60 Hz, single-phase
230 V, 18 A, 50/60 Hz, single-phase

Net Weight 29 lb. (13.2 kg)

The only all-in-one, portable, multiprocess power source from Miller is our most versatile machine to date. Weighing only 29 pounds (13.2 kg) and running on either 120 or 230 V, the Multimatic 200 can go anywhere you need to MIG, TIG or stick weld.

Auto-Set™ Elite can be used on multiple materials and multiple processes with the ability to fine-tune your settings. Simple to set up and use!

Impact-resistant case provides strength and durability, protecting the internal components and welding wire.

Excellent arc characteristics!

Multimatic 200 offers positive arc starts and an extremely stable arc with minimal spatter on both mixed gases and straight CO₂.



Comes complete with:

- Power source
- Power cord and MVP plugs 5-15P (115 V, 15 A) and 6-50P (230 V, 50 A)
- 10 ft. (3 m) Bernard™ Q150 MIG gun
- 13 ft. (4 m) cable with electrode holder and 25 mm Dinse-style connector
- 10 ft. (3 m) work cable with clamp and 25 mm Dinse-style connector
- Flow gauge regulator and gas hose for argon and AR/CO₂ mix
- Quick Select™ drive roll for .024 in. (0.6 mm) or .030/.035 in. (0.8/0.9 mm) solid wire, and .030/.035 in. (0.8/0.9 mm) flux-cored wire
- Two contact tips for .030 in. (0.8 mm) wire, and two contact tips for .035 in. (0.9 mm) wire
- Information/settings chart and quick setup guide
- Material thickness gauge ▶ #229 895

Note: Shielding gas and safety equipment not included.



Multi-voltage plug (MVP™) allows you to connect to common 120 or 230 V power receptacles without the use of any tools—choose the plug that fits the receptacle and connect it to the power cord.



Optional spool guns Spoolmate™ 100 or 150 offer reliable and economical solutions for welding aluminum.



Optional TIG contractor kit gives you everything you need for remote TIG welding with the Multimatic 200.



Welder is warranted for three years, parts and labor.
Gun warranted for six months, parts.



Miller Electric Mfg. Co.
An ITW Welding Company
1635 West Spencer Street
P.O. Box 1079
Appleton, WI 54912-1079 USA

Equipment Sales US and Canada
Phone: 866-931-9730
FAX: 800-637-2315
International Phone: 920-735-4554
International FAX: 920-735-4125

MillerWelds.com
Facebook Twitter LinkedIn YouTube Instagram



Specifications (Subject to change without notice.)

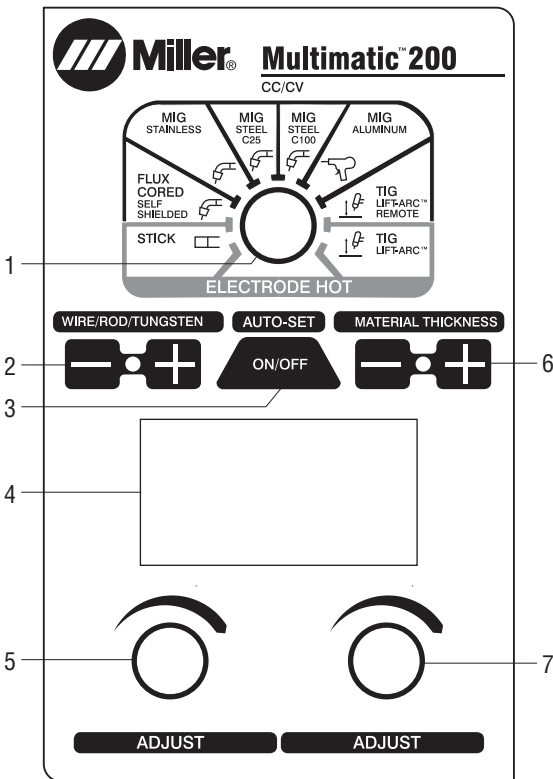


Welding Mode/ Process	Input Power	Welding Amperage Range	Rated Output	Amps Input at Rated Output, 50/60 Hz				Wire Feed Speed	Max. Open-Circuit Voltage	Dimensions	Weight
				120 V	230 V	KVA	KW				
CV: MIG/ flux-cored	120 V	30–140 A	90 A at 18.5 V, 60% duty cycle 110 A at 19.5 V, 20% duty cycle	18	—	2.2	2	70–425 ipm (1.8–10.8 m/min.)	90 VDC	H: 14.5 in. (368 mm) W: 9.75 in. (248 mm) D: 17 in. (432 mm)	29 lb. (13.2 kg)
	230 V	30–200 A	150 A at 21.5 V, 20% duty cycle	—	17.5	4.0	3.8				
CC: TIG	120 V	5–150 A	100 A at 14 V, 100% duty cycle 150 A at 16 V, 30% duty cycle	15.8	—	1.9	1.8	—	90 VDC (22–25 VDC*)		
	230 V	5–150 A	100 A at 14 V, 100% duty cycle 150 A at 16 V, 30% duty cycle	—	8	1.9	1.7				
CC: Stick	120 V	20–150 A	70 A at 22.8 V, 100% duty cycle 100 A at 24 V, 35% duty cycle	16.5	—	2.0	1.9	—	90 VDC (22–25 VDC*)		
	230 V	20–150 A	100 A at 24 V, 100% duty cycle	—	12.7	2.9	2.7				
			150 A at 26 V, 30% duty cycle	—	20.8	4.8	4.5				

*Sense voltage for stick and Lift-Arc™ TIG.

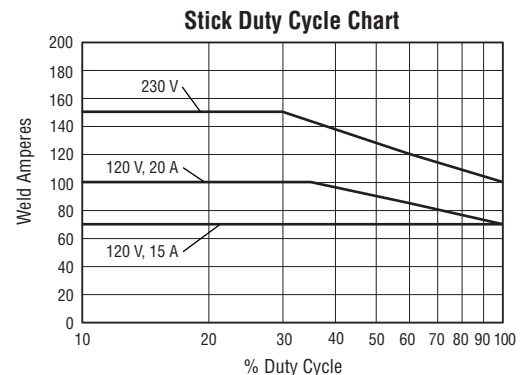
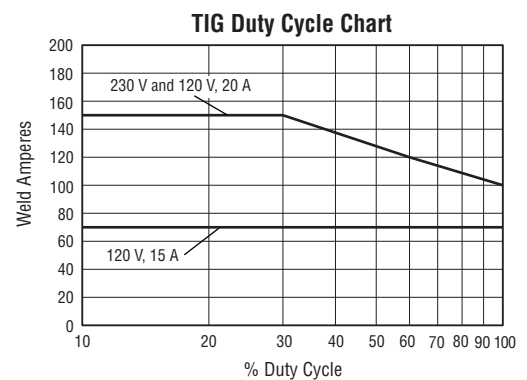
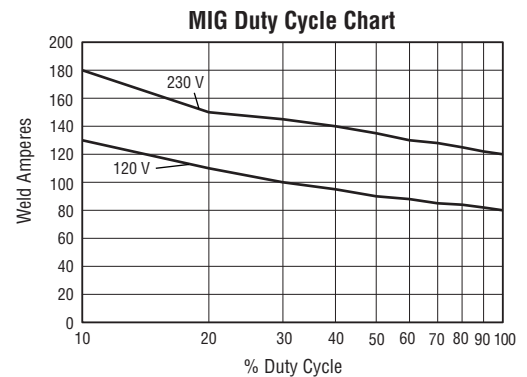
Certified by Canadian Standards Association to both the Canadian and U.S. Standards.

Control Panel



1. Process Selection Knob
2. Wire/Tungsten Diameter and Stick Rod Type Buttons
3. Auto-Set Button
4. LCD Display Panel
5. Adjustment Knob
6. Material Thickness Buttons
7. Adjustment Knob

Performance Data



Genuine Miller® Accessories

Bernard™ Q150 Replacement Gun Q1510AB8BM 10 ft. (3 m)



Spoolmate™ 100 Spool Gun #300 371
Direct-connect spool gun for Multimatic™ 200 and all Millermatic® 140, 141, 180, 190, and 211 models. Handles .030–.035 inch

(0.8–0.9 mm) aluminum (4043 only) and .023–.035 inch (0.6–0.9 mm) steel/stainless steel wires. Rated at 135 amps, 30-percent duty cycle. Includes 12-foot (3.7 m) cable assembly and custom carrying case.



Spoolmate™ 150 Spool Gun #301 272
Direct-connect spool gun for all Multimatic 200 and Millermatic 211 models. Handles .030–.035 inch (0.8–0.9 mm)

4000/5000 series aluminum and .030–.035 inch (0.8–0.9 mm) steel/stainless steel wires. Rated at 150 amps, 60-percent duty cycle. Includes 20-foot (6.1 m) cable assembly.



TIG Contractor Kit #301 287

Kits come complete with everything needed to TIG weld with the Multimatic 200. Includes Weldcraft™ A-150 TIG torch with Dinse-style connector, RFCS-6M foot control, flow gauge regulator with 12-foot (3.7 m) gas hose, and AK2C torch accessory kit.



RCCS-6M Remote Contactor and Current Control #195 184

North/south rotary-motion fingertip control attaches to TIG torch using two hook-and-loop fasteners. Includes 13.25-foot (4 m) cord and 6-pin plug.



14-Pin to 6-Pin Adapter Cord #300 507

Adapts Miller 14-pin foot control or fingertip control to a 6-pin plug.



Running Gear/Cylinder Rack #301 239

Heavy-duty construction with 8-inch rubber rear wheels. Convenient front handles, cable holders and plastic consumable box. For gas cylinders no greater than 7 inches (178 mm) in diameter or 65 pounds (29.5 kg) in weight.

MVP™ Plugs

Order from Miller Service Parts.



#219 258
For power cable 6-50P (230 V/50 A). Included with machine.



#219 261
For power cable 5-15P (115 V/15 A). Included with machine.



#219 259
For power cable 5-20P (115 V/20 A). Optional, not included with machine.

Consumables (Order from Miller Service Parts.)

For Q150 Gun

Insulator Cap 4323R

Gas Diffuser DS-1



Contact Tips

T-023 .024 in. (0.6 mm)
T-030 .030 in. (0.8 mm)
T-035 .035 in. (0.9 mm)

Replacement Liners

#194 010 .024 in.
#194 011 .030–.035 in. (standard)
#194 012 .035–.045 in.
15-foot length — trim to size needed.



Nozzle NS-1200B

Self-Shielded Conversion Kit NS-FLX

Consists of tip holder 7010046, and insulators 7010024 and 7010059.



Drive Rolls

Quick Select™ #261 157

For .024-inch (0.6 mm) or .030/.035-inch (0.8/0.9 mm) solid wire, and .030/.035-inch (0.8/0.9 mm) flux-cored wire.

Dual Groove, V-Knurled #202 926

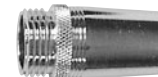
For .030/.035-inch (0.8/0.9 mm) or .045-inch (1.2 mm) flux-cored wire.

For Spoolmate™ 100 Spool Gun



Contact Tips (5 per package)

#199 730 For .024-inch (0.6 mm) wire.
#186 419 For .030-inch (0.8 mm) wire.
#186 406 For .035-inch (0.9 mm) wire.



Nozzle #186 405

For Spoolmate™ 150 Spool Gun



Contact Tips (5 per package)

#199 387 For .030-inch (0.8 mm) wire.
#199 388 For .035-inch (0.9 mm) wire.



Nozzle #199 386

For Both Spool Guns



Drive Roll (1) #186 413
For .030/.035-inch (0.8/0.9 mm) wire.



Push Roll (1) #186 414
For .030/.035-inch (0.8/0.9 mm) wire.

Ordering Information

Power Source and Options	Stock No.	Description	Qty.	Price
Multimatic™ 200 with Auto-Set™ Elite	#907 518	120/230 V, 50/60 Hz		
Multimatic™ 200 with Auto-Set™ Elite and TIG Contractor Kit	#951 649	Power source packaged with #301 287 TIG Contractor Kit		
Guns				
Bernard™ Q150 MIG Gun	Q1510AB8BM	10 ft. (3 m)		
Spoolmate™ 100 Spool Gun	#300 371	12 ft. (3.7 m). Includes custom carrying case		
Spoolmate™ 150 Spool Gun	#301 272	20 ft. (6.1 m)		
Accessories				
TIG Contractor Kit	#301 287	Includes Weldcraft™ A-150 TIG torch with Dinse-style connector, RFCS-6M foot pedal, flow gauge regulator with 12 ft. (3.7 m) gas hose, and AK2C torch accessory kit		
RCCS-6M Remote Control	#195 184	North/south fingertip control with 13.25 ft. (4 m) cord and 6-pin plug		
14-Pin to 6-Pin Adapter Cord	#300 507	Adapts Miller® 14-pin foot control or fingertip control to a 6-pin plug		
Running Gear/Cylinder Rack	#301 239			
CO ₂ Regulator/Flow Gauge	#237 702	Required if using 100 percent CO ₂ gas. <i>Order from Miller Service Parts</i>		
Material Thickness Gauge	#229 895			
Flux-cored Wire				
Solid Wire				
Shielding Gas Cylinder				
Helmet/Gloves/Scratch Brush				
Available Through Miller Service Parts				
MVP™ Adapter Plug 230 V 6-50P	#219 258	Used to connect power source to 6-50R receptacle. Included with machine		
MVP™ Adapter Plug 115 V 5-15P	#219 261	Used to connect power source to 5-15R receptacle. Included with machine		
MVP™ Adapter Plug 115 V 5-20P	#219 259	Used to connect power source to 5-20R receptacle. Optional, not included with machine		
Replacement Screen Cover	#231 410	Snap-in replacement cover for LCD screen		
Insulator Cap	4323R			
Gas Diffuser	DS-1			
Contact Tips		See page 3		
Replacement Liners		See page 3		
Nozzles		See page 3		
Self-Shielded Conversion Kit	NS-FLX	Consists of tip holder 7010046, and insulators 7010024 and 7010059		
Drive Rolls		See page 3		

Date:

Total Quoted Price:

Distributed by:

