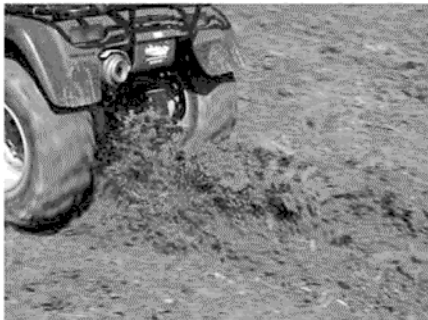
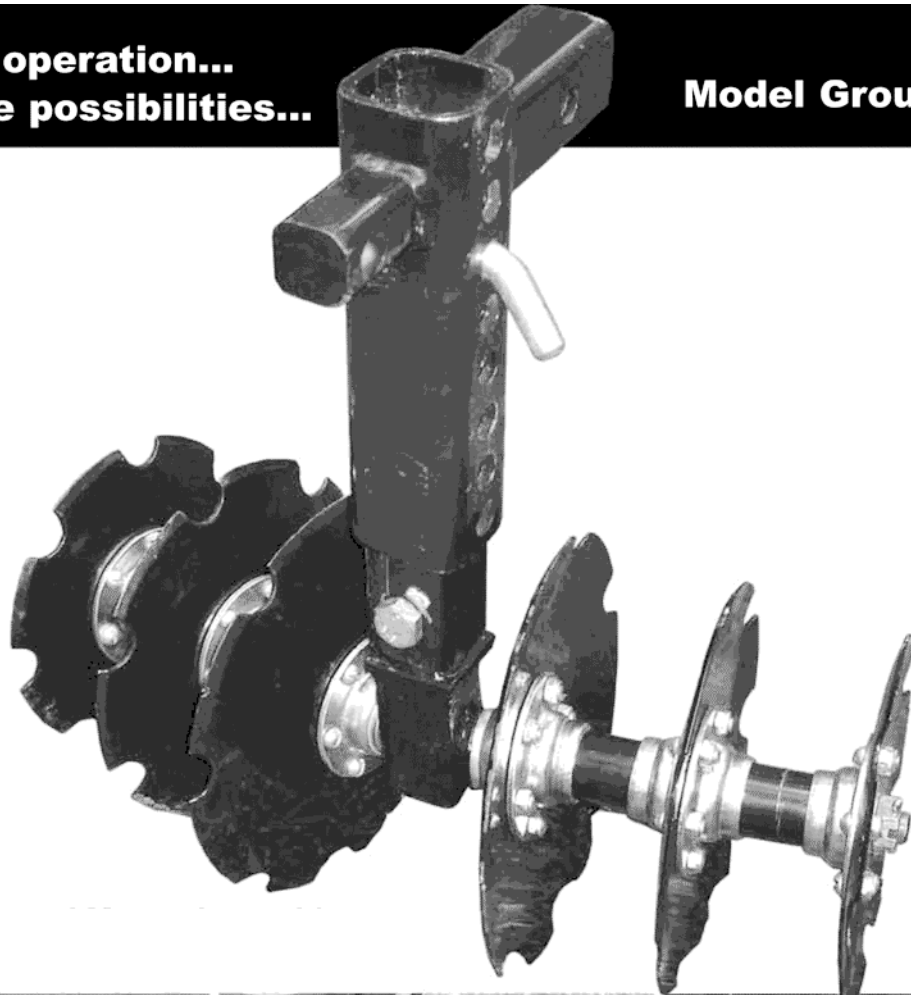


**A one man operation...
Imagine the possibilities...**

Model GroundHog MAX



**GROUND
HOG MAX
ATV/UTV DISC PLOW**

TO THE OWNER:

Read this manual before operating your GroundHog MAX ATV / UTV Disc Plow. The information presented will prepare you to do a better and safer job. Keep this manual handy for ready reference. Require all operators to read this manual carefully and become acquainted with all the adjustment and operating procedures before attempting to operate. Replacement manuals can be obtained from your selling dealer.

The equipment you have purchased has been carefully engineered and manufactured to provide dependable and satisfactory use. Like all mechanical products, it will require cleaning and upkeep. Lubricate the unit as specified. Observe all safety information in this manual and safety decals on the equipment.

Use only genuine GroundHog MAX ATV / UTV Disc Plow service parts. Substitute parts will void the warranty and may not meet standards required for safe and satisfactory operation. Record the model number of your equipment in the spaces provided located at the end of the Warranty section.

Provide this information to your dealer to obtain correct repair parts.

Throughout this manual, the term **IMPORTANT** is used to indicate that failure to observe can cause damage to equipment. The terms **CAUTION**, **WARNING** and **DANGER** are used in conjunction with the Safety-Alert Symbol, (a triangle with an exclamation mark), to indicate the degree of hazard for items of personal safety.

The owner must complete the Warranty Registration located at the end of the Warranty section of this manual. Mail the registration to: GH MAX Registration, 1 Bad Boy Blvd, Batesville, AR 72501.



This Safety-Alert Symbol indicates a hazard and means ATTENTION! BECOME ALERT! YOUR SAFETY IS INVOLVED!

DANGER

Indicates an imminently hazardous situation that, if not avoided, will result in death or serious injury.

WARNING

Indicates a potentially hazardous situation that, if not avoided, could result in death or serious injury, and includes hazards that are exposed when guards are removed.

CAUTION

Indicates a potentially hazardous situation that, if not avoided, may result in minor or moderate injury.

IMPORTANT

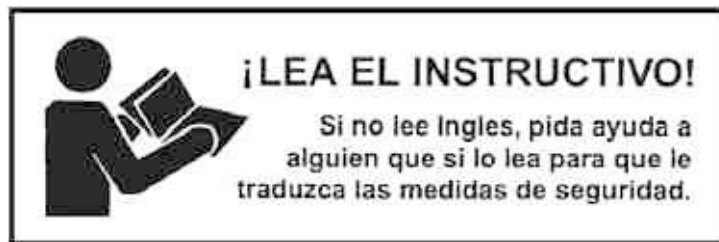
Indicates that failure to observe can cause damage to equipment.

NOTE

Indicates helpful information.

TABLE OF CONTENTS

INTRODUCTION	ii
SPECIFICATIONS / GENERAL INFORMATION	1
SAFETY DECALS	2
SAFETY RULES	3 - 4
ASSEMBLY	5
BEARING REPLACEMENT MAINTENANCE AND STORAGE.	6
OPERATION.	7 - 8
DRAWING.	9
HOW TO ATTACH THE PLOW.	10
MULTI-USE PARTS	11
PARTS LIST	12
FREQUENTLY ASKED QUESTIONS.	13
WARRANTY	14
WARRANTY FOR PARTS	15
ATTACHMENT OPTIONS.	16 - 22



SPECIFICATIONS

Working Width 21”
Shipping Weight 69 pounds
GroundHog MAX (Hitch Kit)
Shipping Weight (No Hitch Kit) GroundHog MAX 46 pounds
(2) Outside 8-inch high strength 1060 grade notched disc blades
(2) Middle 9-inch high strength 1060 grade notched disc blades
(2) Inside 10-inch high strength 1060 grade notched disc blades

¾" round, stress proof

High -Speed (Double Sealed, Deep Groove) ball bearings (bolted on to disc with anti-slide bolts)

Heavy 2” steel tube adjustable frame

GENERAL INFORMATION

The purpose of this manual is to assist you in operating and maintaining your GroundHog MAX ATV / UTV Disc Plow. Read it carefully. It furnishes information and instructions to help you achieve years of dependable performance.

These instructions are compiled from field testing and engineering data. Some information may be general in nature, due to unknown and varying operating conditions. However, through experience and these instructions, you should be able to develop procedures to your particular situation.

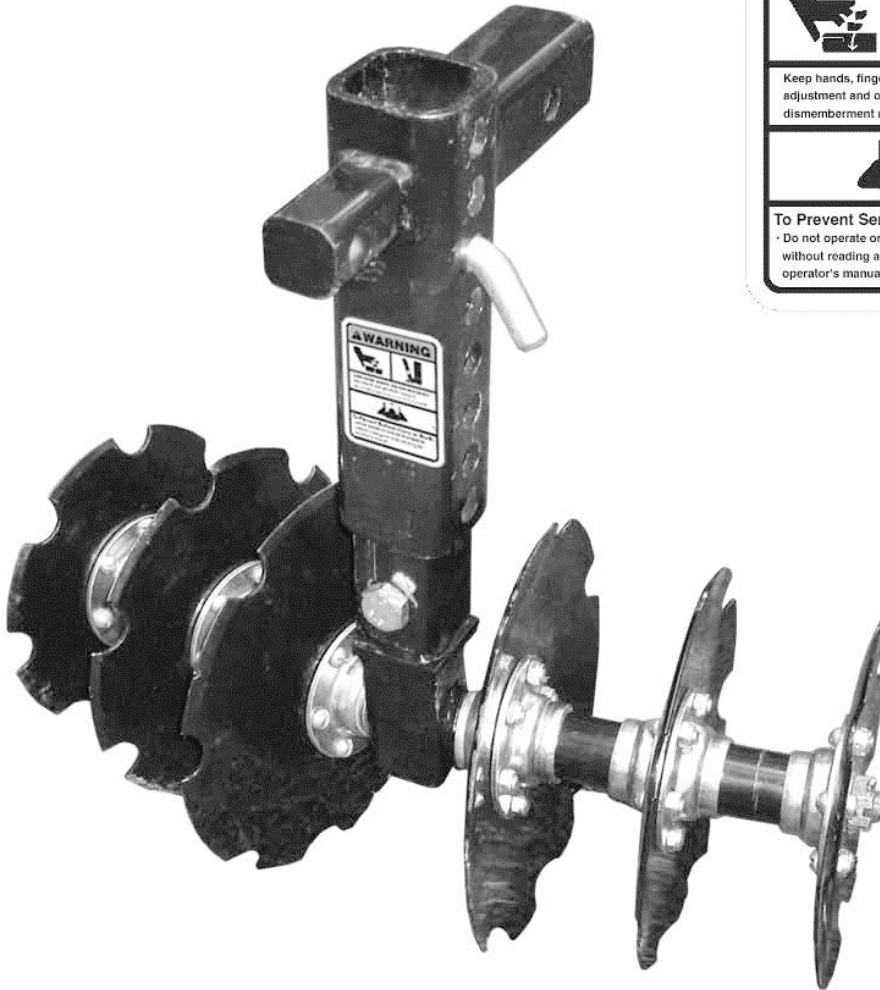
The illustrations and data used in this manual were current at the time of printing. However, due to possible inline production changes, your machine may vary slightly in detail. We reserve the right to redesign and change the machines as may be necessary without notification.

Throughout manual, references are made to right and left direction. These are determined by standing behind the ATV / UTV facing the direction of forward travel.

SAFETY & INSTRUCTIONAL DECALS

ATTENTION! BECOME ALERT! YOUR SAFETY IS INVOLVED! FAILURE TO FOLLOW THESE INSTRUCTIONS COULD RESULT IN SERIOUS INJURY OR DEATH

Replace Decals Immediately If Damaged!





SAFETY RULES



Safety is a primary concern in the design and manufacture of our products. Unfortunately, our efforts to provide safe equipment can be wiped out by an operator's single careless act.

In addition to the design and configuration of equipment, hazard control and accident prevention are dependent upon the awareness, concern, judgment, and proper training of personnel involved in the operation, transport, maintenance and storage of equipment.

It has been said, "The best safety device is an informed, careful operator." We ask you to be that kind of operator.

TRAINING

Safety instructions are important! Read all attachment manuals and follow all safety rules and safety decal information. Failure to follow instructions can result in serious injury or death

- If you do not understand any part of this manual and need assistance, call us at 1-800-566-1691.
- Operators must be instructed in and be capable of the safe operation of the equipment, its attachments, and all controls. Do not allow any- one to operate this equipment without proper instructions.
- Never allow children or untrained persons to operate equipment.
- Train all new personnel and review instructions frequently. A person who has not read and understood all operating and safety instructions is not qualified to operate the machine. An untrained operator exposes himself and bystanders to possible serious injury or death.

PREPARATION

- Always wear relatively tight and belted clothing to avoid getting caught in moving parts. Wear sturdy, rough-soled work shoes and protective equipment for eyes, hair, hands, hearing, and head; and respirator or filter mask where appropriate.
- Make sure attachment is properly secured, adjusted, and in good operating condition.

TRANSPORTATION

- Always comply with all state and local laws governing highway safety and lighting and marking requirements.
- Never allow riders on power unit or attachment.
- Do not operate or transport on steep slopes.
- Use extreme care and reduce ground speed on slopes and rough terrain.
- Do not operate or transport equipment while under the influence of alcohol or drugs. Consult your doctor about operating this machine while taking prescription medications.

OPERATION

- Never go underneath equipment (lowered to the ground or raised) unless it is properly blocked and secured. Never place any part of the body underneath equipment or between moveable parts even when the engine has been turned off.
- Always comply with all state and local laws governing highway safety and lighting and marking requirements.
- Operate only in daylight or good artificial light.
- Keep bystanders away from equipment.

Safety Rules continued on next page.

SAFETY RULES CONTINUED FROM PREVIOUS PAGE.

- Keep hands, feet, hair, and clothing away from equipment while engine is running. Stay clear of all moving parts.
- Never allow riders on power unit or attachment.
- Always sit in power unit seat when operating controls or starting engine. Securely fasten seat belt, place transmission in neutral, engage brake, and ensure all other controls are disengaged before starting power unit engine.
- Look down and to the rear and make sure area is clear before operating in reverse.
- Use extreme care when working close to fences, ditches, other obstructions, or on hillsides.
- Do not operate or transport on steep slopes.
- Do not stop, start, or change directions suddenly on slopes. Always operate down slopes and never across the face.
- Use extreme care and reduce ground speed on slopes and rough terrain.
- Keep alert and watch the front as well as the rear when operating.
- Stop power unit and equipment immediately upon striking an obstruction. Turn off engine, remove key, inspect, and repair any damage before resuming operation.
- Before leaving operator's seat engage brake, stop engine and remove key.

MAINTENANCE

- Always wear relatively tight and belted clothing to avoid getting caught in moving parts. Wear sturdy, rough-soled work shoes and protective equipment for eyes, hair, hands, hearing, and head; and respirator or filter mask where appropriate.
- Never go underneath equipment (lowered to the ground or raised) unless it is properly supported.

blocked and secured. Never place any part of the body underneath equipment or between moveable parts even when the engine has been turned off.

- Make sure attachment is properly secured, adjusted, and in good operating condition.
- Before leaving operator's seat engage brake, stop engine, remove key, and remove seat belt.
- Never perform service or maintenance with engine running.
- Keep all persons away from operator control area while performing adjustments, service, or maintenance.
- Tighten all bolts and nuts before each use on both your power source (ATV) and the GroundHog MAX.
- Verify that the GroundHog MAX is properly attached to the power source and bolts and nuts are tight.

CAUTION

- Verify that the GroundHog MAX ATV / UTV Disc Plow is in safe condition before putting the unit into service by:
 1. Visually check the castle-nut on each end of the axle assembly for tightness.
 2. Visually check discs. (some side-to-side play on discs is normal)
 3. Make sure the axle keeper pin is in place properly.
 4. Make sure the 5/8-bolt and nut is tight on the up and down adjustment tube.
 5. Make sure tractor pins are secured in place.

STORAGE

- Store in a safe dry area
- Block equipment securely for storage.
- Keep children and bystanders away from storage area.

Assembly

Figure 1 is completed (assembled at factory)

Figure 1

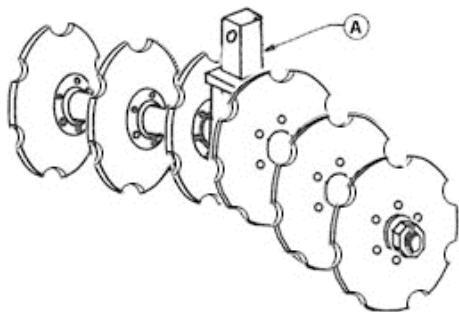
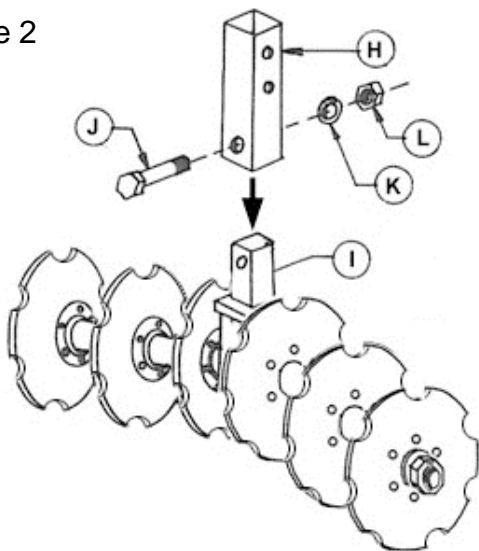


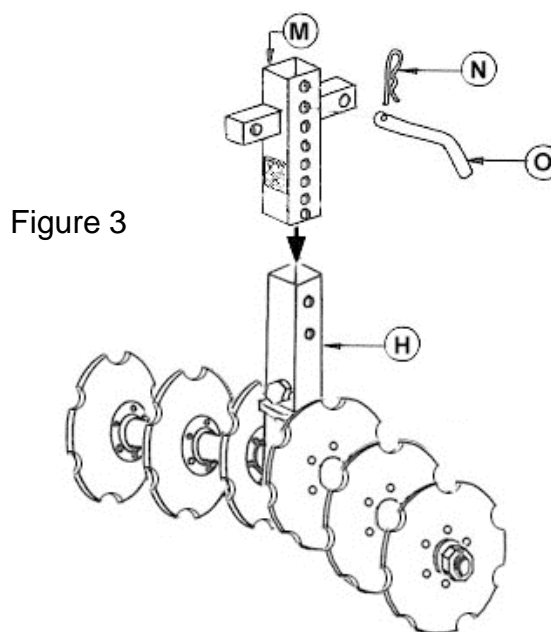
Figure 2



Slide part (H) onto axle assembly (I). Insert 5/8" bolt (J) through part (H) and axle assembly (I). Add 5/8" lock washer (K) and 5/8-inch nut (L) and tighten.

Note: where H slides onto I (axle assembly) the "play" here is intentional. This allows "float" for uneven terrain.

Slide male T assembly (M, Fig. 3) onto height adjustment bar (H) as in Figure 3. Insert tractor pin (O) and secure with a cotter pin (N).

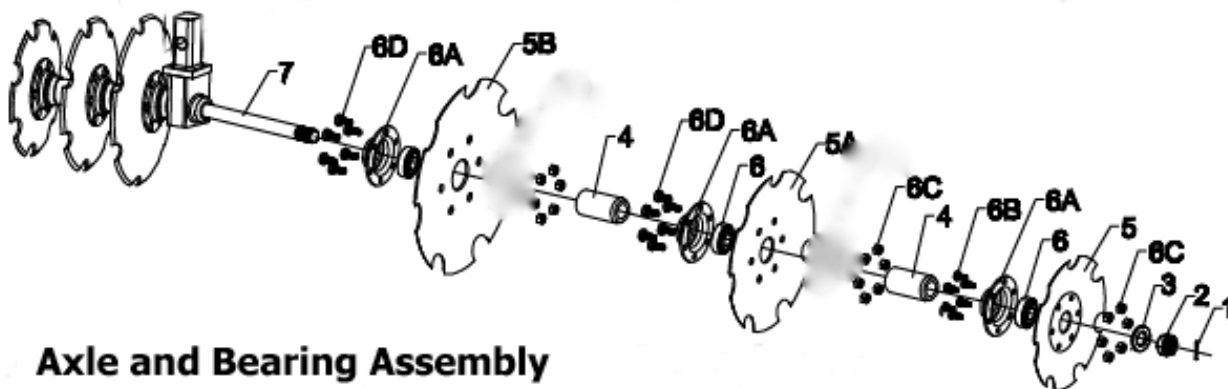


In the next section will show different ways to use these parts to make your GroundHog MAX ATV / UTV Disc Plow compatible with your vehicle.

WARNING: We recommend that you initially plow lightly (you have numerous up and down adjustment holes). Observe your vehicle's hitch and assembly. Then gradually you can get more aggressive on your settings. You can determine how your particular vehicle works best. Once determined you can set the depth right for each subsequent use.

WARNING: Use of this product could cause damage to your vehicle if not used properly. This product will necessarily put some strain on your vehicle. You should ensure that your vehicle is in good mechanical condition before using this product. Bad Dawg Accessories and/or GroundHog MAX ATV / UTV Disc Plow are not responsible for any damage to your vehicle as a result of your use of this product.

Note: Axle assembly is pre-assembled at factory.



Axle and Bearing Assembly

Bearing Replacement

Note: Replacement bearing (Part 6) will fit all sizes of disc blades (8-9-10 inch) respectively. The bearing will work installed either way.

Note: If necessary use a rubber hammer to knock off the disc blades. Normally you do not need to. Lubricating axle and bearings make it slide on/off easier.

1. Determine which side you need to replace a bearing on. Be sure to take note as to how the axle assembly is put together before you take it apart. Pay attention to the way the spacer is placed

2. Remove the keeper pin and loosen and remove the castle nut.

3. Slide the blades and spacers off until you get to the disc blade or bearing that needs to be replaced.

4. Once the bad disc blade is off carefully loosen and remove the anti-slide bolts and nuts from the bearing, and disc. This allows you to remove the bad bearing.

5. Put the new bearing in place on the disc blade and align it.

6. Re-install the 6 (six) anti-slide nuts and bolts through all but do not tighten for now. Slide the disc blade back onto the axle and gradually tighten nuts in a diagonal sequence until all are completely tightened. This step and its procedure are very important. Tightening bolts improperly can bearing to not seat correctly to disc.

7. Slide the disc blades/spacers back on in their proper order. (10-inch inside, 9-inch middle, 8-inch outside). Note: The small inside spacer for the 10-inch blade is welded in place and cannot be removed.

8. Re-install the castle nut and tighten down completely then back it off $\frac{3}{4}$ turn or so (whatever the minimum is to be able to re-insert the keeper pin).

9. Re-insert the keeper pin. Bend this pin out properly so that it stays in place. Note. disc blade assembly.

10. Disc blades (parts 5, 5A, 5B) can be purchased separately, fully assembled.

Storage

When handling The GroundHog MAX ATV / UTV Disc Plow always be extremely careful, There are sharp edges and moving parts. Failure to use caution may result in serious injury. To store the GroundHog MAX ATV / UTV Disc Plow : Remove the plow from your ATV,

Visually inspect the plow, Tighten and lubricate if necessary

Place in a safe storage area. Proper storage will prevent disc and bearings from rusting and locking up.

Operation

Owner should check and tighten all hardware after the first hour of operation. The break in stage of your new GroundHog MAX ATV / UTV Disc Plow can cause minimal loosening of hardware.

WARNING

- Never allow children or untrained persons to operate equipment.
- Keep bystanders away from equipment.
- NEVER GO UNDERNEATH EQUIPMENT. Never place any part of the body underneath equipment or between moveable parts even when the engine has been turned off.
- Service work does not require going underneath.
- Read Manual for service instructions or have service performed by a qualified dealer.
- Stop vehicle and implement immediately upon striking an obstruction. Turn off engine, remove key, inspect, and repair any damage before resuming operation.
- Always wear relatively tight and belted clothing to avoid entanglement in moving parts. Wear sturdy, rough-soled work shoes and protective equipment for eyes, hair, hands, hearing, and head.

Owner/Operator Pre-Operation Checklist

(Owner's/Operator's Responsibility)

___ Review and follow all safety rules and safety decal instructions on pages 2 through 4.

___ Check that equipment is properly and securely attached to tractor.

___ Check that all safety decals are installed and in good condition. Replace if damaged.

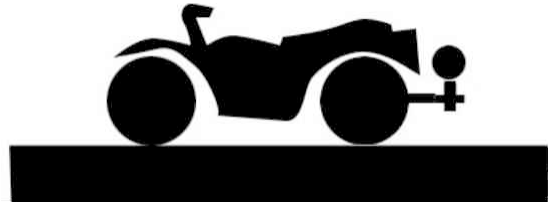
___ Check that all hardware is properly installed and secured.

___ Do not allow riders.

Transport Position

CAUTION

Be extremely careful. There are sharp edges and moving parts. Failure to use caution may result in serious injury.



Place the GroundHog MAX ATV / UTV Disc Plow in transport position by:

- Turn off your ATV /UTV.
- Set parking break.
- Chock your wheels.
- Remove the tractor pin holding the plow into the T-head.
- Slide the plow all the way into the head.
 - Replace the tractor pin.
 - Remove the tractor pin holding the plow to the receiver tube.
 - Flip the plow into transport position (blades up).
- Replace the tractor pin.

Note: On some vehicles Transport position may not work properly...according to how the back end of your year/make/model of vehicle is designed.

SETTING PLOWING POSITION

Remember, when handling the GroundHog MAX ATV / UTV Disc Plow always be extremely careful. There are sharp edges and moving parts. Failure to use caution may result in serious injury.

Option 1:



When you arrive at your food plot place the GroundHog MAX ATV UTV Disc Plow in plowing position by:

Park your ATV in a spot where you can get the rear of the ATV up slightly (around 4-inch)

- Turn off your ATV
- Set parking break.
- Chock your wheels.
- Remove the tractor pin holding the plow to the receiver tube.
- Flip the plow into plowing position.
- Replace the tractor pin.
- Remove the tractor pin holding the plow on the T-head.
- Drop the plow down until it touches the ground.
- Replace the tractor pin.

You are ready to plow.

Option 2

When you arrive at your food plot place the



Place unit in plowing position by:

Park your ATV in a level spot where you can utilize a set of wide and strong 4-inch ramps to back up on. See above drawing.

- Carefully back onto the ramps. Turn off your ATV
- Set parking break.
Chock your wheels.
- Remove the tractor pin holding the plow to the receiver tube.
- Flip the plow into plowing position.
Replace the tractor pin.
- Remove the tractor pin holding the plow on the T-head.
- Drop the plow down until it almost touches the ground.
- Replace the tractor pin.

WARNING

Do not attempt to physically lift the rear of the vehicle to put the plow into the plowing position. Possible injury to you and/or your helpers.

occur. This rear-end lifting method will not work as the shocks and the suspension stretch out and do not allow a proper plow setting.

Plowing

WARNING

The operator is responsible for the safe operation of this equipment. The operator must be trained in the operation of their vehicle. Operators should be familiar with the plow, the ATV, and all safety practices before starting operation. Read the safety rules and safety decals on pages 2-4.

Owner should check and tighten (if necessary) all hardware after the first half-hour of operation. The break in stage of the plow can cause minimal loosening of hardware. Retighten the 3/4 " castle nut as necessary.

The optimal plowing speed is approximately 5 mph. Use reverse when ever necessary for maneuverability. Plowing forward in oblong circles and figure 8's is much faster and more productive. You do not have to waste time stopping and shifting. When using reverse the discs are backwards so it does not plow that well going in reverse anyway. Note: Sometimes in certain soils, soft dirt, and if elevation is present reverse is not very useable. Be sure to slow down when making turns with the plow engaged. If you have to use reverse the plow will track with your vehicle

Use reverse to obtain maximum maneuverability. The plow will track with the ATV / UTV. The plow will penetrate to approximately 4-inches deep. Based on soil conditions, it may take several passes to achieve this depth.

The plow can be adjusted to a shallow depth setting to cover seeds.

After the first use, be sure to check the blades for side-to-side movement. Some side-to-side movement is normal. If there is excessive movement tighten the castle nut, and re-pin. You should continue to check this after each use to get the longest life out of your GroundHog MAX ATV / UTV Disc Plow.

GroundHog MAX ATV / UTV Disc Plow Plow and Receiver Kit Assembly Schematic

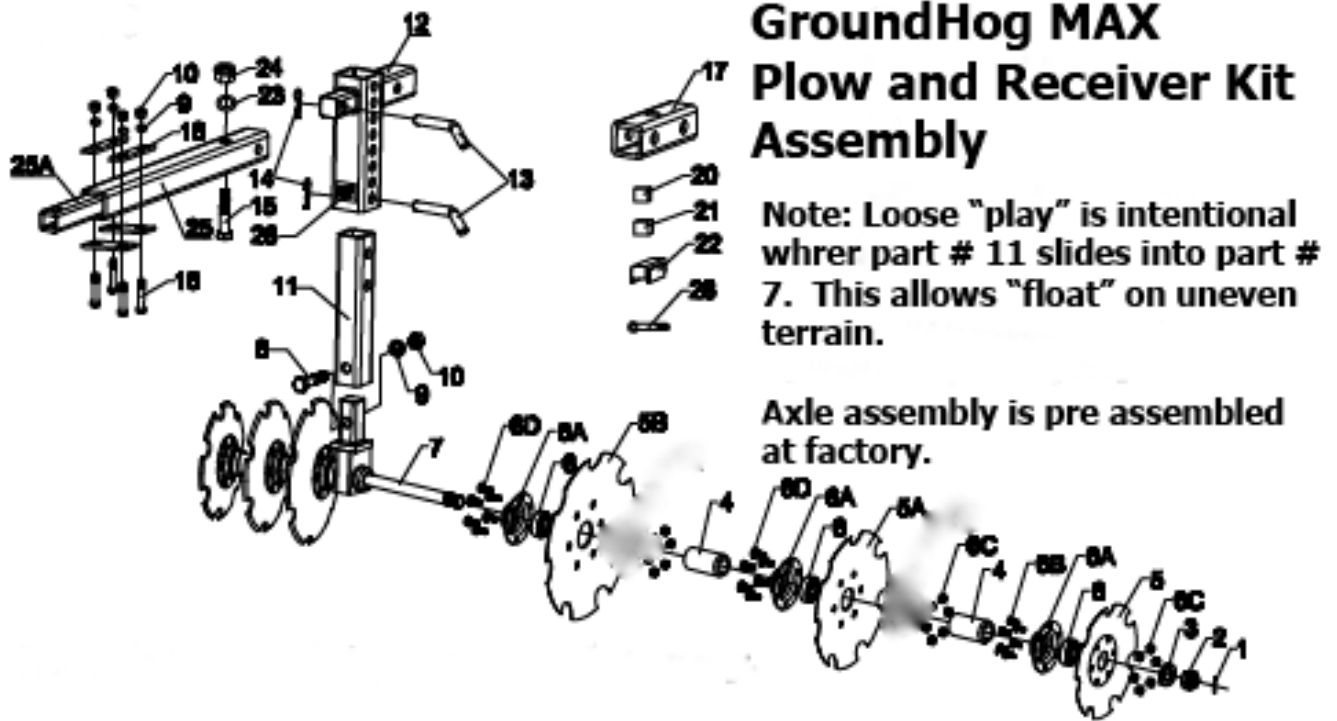


Figure 9

How to attach the Plow to your ATV / UTV

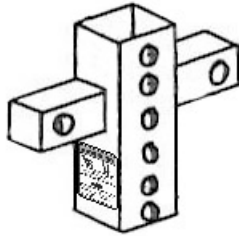


When your GroundHog MAX is attached properly it should face as indicated in the picture above. Notice it has a slight "chevron" (arrowhead type shape). The point of the arrow should face backwards away from the ATV /UTV. So if you are squatting at the back of the ATV...the point of the shape should be pointing at your shoes.

3. **ATTENTION!** Make sure your plow is mounted properly to avoid possible damage to the plow, hitch, or ATV / UTV. (again, see picture and above)

The following parts can be used in different ways to make your GroundHog MAX ATV / UTV Disc Plow compatible with your vehicle:

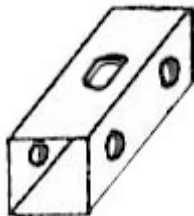
Male T Connector (Fig. 4)



- A) One side of the T-head fits into a standard 2-inch receiver.
- B) The other side of the T-head fits into your 21-inch and 5 inch receiver tubes if you bought a GroundHog MAX ATV / UTV Disc Plow with Hitch Kit.

Note: Male T connector can also be turned upside down. This allows the up and down (height adjustment) to be more flexible. One way gives more length for height adjustment for large ATV's / UTV's with higher ground clearance. The other way minimizes the height for ATV's or UTV's with less ground clearance.

5-Inch Receiver Tube (Fig.5)



- A) It can be used as a 5 inch-receiver tube on some ATV's and other power sources if braced or welded.
- B) In a few installations it can be used as a spacer
- C) This part only comes with the Hitch Kit version

**Tongue Straps (Fig.6)
4 included**



- A) These can be used to secure the 21-inch receiver tube to the vehicle
- B) They can be used as braces.
- C) They can be used as spacers.
- D) Only come with the Hitch Kit version

GroundHog MAX ATV / UTV Disc Plow Parts, including Hitch Kit

NO.	Part No.	Description	Qty	FOB EA	FOB Total
1	088-9079-00	Hair Pin	2	N/A	N/A
2	088-9078-00	Castle Nut M18 1.5 3/4"	2	\$2.50	\$5.00
3	088-9080-00	Lock Washer 3/4"	2	N/A	N/A
3A	088-9081-00	Flat Washer 18	4	N/A	N/A
4	088-9066-00	3-Inch Outer Spacer	4	\$6.76	\$27.04
5	068-9056-00	Assembled 8-Inch Notched Blade w/bearing	2	\$19.99	\$39.98
5A	088-9059-00	Assembled 9-Inch Notched Blade w/bearing	2	\$21.99	\$43.98
5B	088-0960-00	Assembled 10-Inch Notched Blade w/bearing	2	\$22.99	\$45.98
6	088-9056-00	* Bearing	6	\$6.00	\$36.00
6A	088-9032-00	Bearing Protector	6	\$3.99	\$39.90
6B	088-9053-00	Screw Rod M8 15MM	36	\$0.99	\$35.88
6C	088-9054-00	Nut	36	\$1.00	\$36.00
6D	088-9053-10	Screw Rod M8 20MM	36	\$1.33	\$47.76
7	080-9055-00	Axle Assembly	1	\$43.63	\$43.63
8	088-9065-00	M16 80 Hex Bolt 5/8"	1	\$1.96	\$1.96
9	G88-9071-00	M16 Lock Washer 5/8"	5	N/A	N/A
10	088-9G71-00	M16 Hex Head Nut	5	N/A	N/A
11	088-9062-00	10 1/2-Inch Adjustment Tube	1	\$18.99	\$18.99
12	088-9057-88	Male Hitch (T-Head)	1	\$35.15	\$35.15
13	088-9071-00	Tractor Pin	2	N/A	N/A
14	088-9071-00	Cotter Pin	2	N/A	N/A
15	088-9071-00	M18 130 Hex Head Bolt 3/4"	1	N/A	N/A
16	088-9071-00	M16 190 Hex Head Bolt 5/8"	4	N/A	N/A
17	088-9063-00	5-Inch Receiver Tube	1	\$13.30	\$13.30
18	088-9067-00	Tongue Strap	4	\$3.25	\$13.00
20	088-9096-00	1/4-Inch Flat Spacer	1	\$1.10	\$1.10
21	088-9070-00	1/2-Inch Flat Spacer	1	\$1.96	\$1.96
22	088-9G68-00	Spacer Block	1	\$5.99	\$5.99
23	088-9071-00	M18 Lock Washer 3/4"	1	N/A	N/A
24	088-9071-00	M18 Hex Nut 3/4"	1	N/A	N/A
25	088-9061-00	21-Inch Receiver Tube	1	\$39.99	\$39.99
25A	088-9064-00	9-Inch Extension Tube	1	\$14.99	\$14.99
28	088-9071-00	M16 105 Hex Bolt 5/8"	2	N/A	N/A

* If Purchasing bearings locally use series
Z0504C or 204RR6

12 Parts List

Note: Prices subject to Change without notice

GroundHog MAX ATV / UTV Disc Plow Frequently Asked Questions

1. Can I use reverse when plowing?

A: Yes, but it won't plow as well as going forward. Reverse gives you the maneuverability to plow in tight places like pulpwood roads, firebreaks, and between pine rows. Only use reverse if necessary

2. Does it work on hard and / or rough ground?

A: Yes. If your terrain is "difficult" the plow will work. It just takes more passes. The plow works well on hard, dry, rocky, grassy or any combination terrain. For best results plow in a combination of oblong circles, figure eights, and straight rows back and forth.

3. Does the plow work in wet bottomland?

A: Yes. The plow will not bog down like a typical pull behind plow. The ATV controls the plowing depth. Remember the old saying, "Too wet to plow"? Certain soil types may clog the discs when wet. However, if your vehicle can go through it the plow can plow it.

4. Can I use the plow if my ATV has a strong factory or after-market 2-inch receiver?

A: Yes. The plow is all you need.

5. Can I use the plow if my ATV/UTV only has a factory utility hole or just has a lightweight 1 1/4 factory receiver?

A: Yes. Many make and model ATV's and UTV's can use our receiver hitch kit. There are also receivers that can be ordered specific to vehicle year, make, and model. For more information visit www.groundhogdiscplow.com, reference the hitches section, or call 1-800-566-1691.

6. How well is the product made?

A: The product is made with high intensity heavy gauge steel. Each disc has its own high-speed double-sealed, deep groove bearings. The discs are installed with anti-slide bolts and nuts for easy replacement of bearings if necessary. All bearings are the same size. Discs are mounted on a 3/4inch axle. This axle is then encased in a 1 inch steel pipe. This creates a closed system that does not require greasing. The GroundHog MAX ATV / UTV Disc Plow does not have ratchets. There are no tires to go flat and dry rot. It is practically maintenance free.

7. Is the product just for food plots?

A: No. In addition to food plots the plow is used for landscaping, preparing and maintaining fire breaks and weed control, grooming horse arenas and dirt tracks. If you need to till the ground the plow will do it. In many cases it can be used to replace a tractor especially for smaller jobs.

8. Can I leave the plow on my ATV / UTV while driving to my food plot site?

A: Yes you can in most instances. We call this feature "transport position." However, every ATV / UTV s a little different. Here are some general guidelines: On some vehicles you simply flip the plow upside down and secure it in position with the tractor pin. On some vehicles flip the plow upside down, and adjust the plow head up or down until it clears the back of the vehicle by removing and replacing the tractor pin. Then simply secure it in position with the tractor pin. On a few machines you may not be able to use transport position due to the design of the rear-end.

9. Does the receiver hitch assembly have to be perfectly level and centered?

A: No. However, get as close to level and centered as possible.

10. If I use the receiver hitch assembly can I still use my trailer ball and leave the receiver on permanently?

A: Yes. After market Reese-type ball adapters are available.

11. Will the plow work on my 2 x 4 ATV?

A: The plow will work on most 2 x 4 ATV's, but you cannot plow as aggressively due to traction loss. Many plow in 2 x 4 for easier steering.

12. Will the Groundhog work on both independent rear suspension and straight axle ATV's?

A: Yes. We have tested it on both.

13. How do I use the up/down adjustment tube to adjust the weight on the plow?

The adjustment holes are in 1-inch increments. A good rule of thumb is...if you back your ATV up on a 4" x 4" block (to get your rear wheels up)...let the plow come down and touch the ground...then pull the plow upwards one hole and put your tractor pin in. Back off the 4 x 4 and plow. You do not have to be too aggressive because a lot of the cutting is in the turns. That's why we recommend looping circles and figure 8's if you can.

WARRANTY

GroundHog MAX ATV / UTV Disc Plow and Bad Dawg Accessories warrants this product to be free from defect in material and workmanship. Except as otherwise set forth below, the duration of this Warranty shall be for NINETY (90) DAYS COMMENCING ON THE DATE OF DELIVERY OF THE PRODUCT TO THE ORIGINAL PURCHASER.

Under no circumstances will this warranty apply in the event that the product, in good faith opinion of GroundHog MAX ATV / UTV Disc Plow and Bad Dawg Accessories, has been subjected to improper operation, improper maintenance, misuse, or an accident. This warranty does not apply in the event that the product has been materially modified or repaired by someone other than GroundHog ATV / UTV Disc Plow or Bad Dawg Accessories. The Warranty does not cover normal wear or tear, or normal maintenance items. This warranty also does not cover repairs made with parts other than those obtained through GroundHog ATV / UTV Disc Plow or Bad Dawg Accessories

This Warranty is extended solely to the original purchaser of the product. Should the original purchaser sell or otherwise transfer this product to a third party, this Warranty does not transfer to the third party purchaser in any way. There are no third party beneficiaries of this Warranty.

GroundHog ATV / UTV Disc Plow or Bad Dawg Accessories makes no warranty, express or implied, with respect on any parts or accessories not manufactured ATV / UTV Disc Plow and Bad Dawg Accessories Warranties for these items, if any, are provided separately by their respective manufacturers. GroundHog MAX ATV / UTV Disc Plow and Bad Dawg Accessories obligation under this Warranty is limited to, at Bad Boy Mower option, the repair or replacement, free of charge, of the product if GroundHog MAX ATV / UTV Disc Plow and Bad Dawg Accessories, in its sole discretion, deems it to be defective or in noncompliance with this Warranty. Such parts shall be provided by the selling dealer to the user during regular working hours.

If requested, the product must be returned to GroundHog MAX ATV / UTV Disc Plow and Bad Dawg Accessories with proof of purchase within thirty

(30) days after such defect or noncompliance is discovered or should have been discovered, routed through the dealer and distributor from whom the purchase was made, transportation charges prepaid. GroundHog MAX ATV / UTV Disc Plow and Bad Dawg Accessories shall complete such repair or replacement within a reasonable time after GroundHog MAX ATV / UTV Disc Plow and Bad Dawg Accessories receives the product.

THERE ARE NO OTHER REMEDIES UNDER THIS WARRANTY. THE REMEDY OF REPAIR OR REPLACEMENT IS THE SOLE AND EXCLUSIVE REMEDY UNDER THIS WARRANTY.

GroundHog MAX ATV / UTV Disc Plow and Bad Dawg Accessories shall not be liable for any incident or consequential losses, damages or expenses, arising directly or indirectly from the product, whether such claim is based upon breach of contract, breach of warranty, negligence, strict liability in tort or any other legal theory. Bad Boy Mower's obligation under this warranty, to the extent allowed by law, is in lieu of all warranties, implied or expressed for a particular purpose and any liability for incidental and consequential damages with respect to the sale or use of the items warranted. Such incidental and consequential damages shall include but not be limited to: transportation charges other than normal freight charges; loss of crops or any other loss of income; rental of substitute equipment, expenses due to loss, damage, detention or delay in the delivery of equipment or parts resulting from acts beyond the control of GroundHog MAX ATV / UTV Disc Plow and Bad Dawg Accessories.

This Warranty is subject to any existing conditions of supply that may directly affect GroundHog MAX ATV / UTV Disc Plow and Bad Dawg Accessories ability to obtain materials or manufacture replacement parts.

This warranty is subject to the warranty registration being submitted. For warranty services, contact GroundHog MAX ATV / UTV Disc Plow and Bad Dawg Accessories 1-800-566-1691 or 1-877-522-3364

WARRANTY FOR PARTS

GroundHog MAX by GroundHog MAX ATV / UTV Disc Plow and Bad Dawg Accessories warrants its parts to be free from defect in material and workmanship for a period of ninety (90) days from the date of delivery of the part(s) to the original purchaser.

Replacement or repair parts installed in the equipment covered by warranty are warranted for ninety (90) days from date of purchase of such part or to the expiration of the applicable new equipment warranty period, whichever occurs later.

Under no circumstances will this warranty apply in the event that the parts, in good faith opinion of GroundHog MAX by GroundHog MAX ATV / UTV Disc Plow and Bad Dawg Accessories, has been subjected to improper operation, improper maintenance, misuse, or an accident. This warranty does not apply in the event that the product has been materially modified or repaired by someone other than GroundHog MAX ATV / UTV Disc Plow and Bad Dawg Accessories. The Warranty does not cover normal wear or tear, or normal maintenance items. This warranty also does not cover repairs made with parts other than those obtained through GroundHog MAX ATV / UTV Disc Plow and Bad Dawg Accessories.

This Warranty is extended solely to the original purchaser of the product. Should the original purchaser sell or otherwise transfer this product to a third party, this Warranty does not transfer to a third party purchaser in any way. There are no third party beneficiaries of this Warranty.

Our obligation under this Warranty is limited to, at GroundHog MAX ATV / UTV Disc Plow and Bad Dawg Accessories option, the repair or replacement, free of charge, of the product if GroundHog MAX ATV / UTV Disc Plow and Bad Dawg Accessories, in its sole discretion, deems it to be defective or in noncompliance with this Warranty. The selling dealer shall provide such parts to the user during regular working hours. **If requested, the product must be returned to GroundHog MAX ATV / UTV Disc Plow and Bad Dawg Accessories with proof of purchase within thirty (30) days after such defect or noncompliance is discovered or should have been discovered, routed through the dealer and distributor from whom the purchase was made, transportation charges prepaid.**

GroundHog MAX ATV / UTV Disc Plow and Bad Dawg Accessories shall complete such repair or replacement within a reasonable time after GroundHog MAX ATV / UTV Disc Plow and Bad Dawg Accessories receives the product. THERE ARE NO OTHER REMEDIES UNDER THIS WARRANTY. THE REMEDY OF REPAIR OR REPLACEMENT IS THE SOLE AND EXCLUSIVE REMEDY UNDER THIS WARRANTY.

THERE ARE NO WARRANTIES WHICH EXTEND BEYOND THE DESCRIPTION ON THE FACE OF THIS

GroundHog MAX ATV / UTV Disc Plow and Bad Dawg Accessories shall not be liable for any incidental or consequential losses, damages or expenses, arising directly or indirectly from the product, whether such claim is based upon breach of contract, breach of warranty, negligence, strict liability in tort or any other legal theory. Without limiting the generality of the foregoing, GroundHog MAX ATV / UTV Disc Plow and Bad Dawg Accessories specifically disclaims any damages relating to (i) lost profits, business, revenues or goodwill; (ii) loss of crops; (iii) loss because of delay in harvesting; (iv) any expense or loss incurred for labor, supplies, substitute machinery or rental; or (v) any other type of damage to property or economic loss.

This Warranty is subject to any existing conditions of supply that may directly affect GroundHog MAX ATV / UTV Disc Plow and Bad Dawg Accessories ability to obtain materials or manufacture replacement parts.

This warranty is subject to the warranty registration being submitted. For warranty services, contact

Owner Registration:

Name _____ Address _____

Dealer Name _____ City/State/Zip Code _____

Date of Purchase _____ Model Number _____

15 Warranty for Parts

WHAT ARE THE OPTIONS FOR A SQUARE RECEIVER HITCH ADAPTER THAT WILL WORK WITH THE GROUNDHOG MAX ATV / UTV DISC PLOW ON MY ATV OR UTV?

Keep in mind that the GroundHog MAX ATV/UTV Disc plow is sold 2 ways.

WITHOUT A HITCH KIT – For Options 1 & 2. **OR WITH A KIT** – For Options 3 & possibly 4.

UTV's normally come with a strong 2-inch receiver.

Option #1

A GroundHog MAX ATV / UTV Disc Plow is designed to fit...

"Any power source with a strong existing, 2-inch, square receiver hitch".

If your ATV/UTV has one, NO KIT IS REQUIRED: JUST PLUG AND PLOW!

MANUFACTURERS: Most **ARCTIC CAT** and many other ATV's and UTV's have this type strong 2-inch hitch.

Option #2

ANY ATV / UTV without a hitch receiver like described in Option 1 can order a strong aftermarket 2-inch square receiver online. These hitches are year/make/model specific. They convert your ATV's existing utility hole or receiver hitch (many have a weak 1 ¼ inch) over to a strong, forward braced, 2-inch square receiver. They utilize the frame and other existing bolts. Once this hitch is installed your ATV / UTV becomes Plug and Plow ready! To find a place to order your aftermarket 2-inch square receiver hitch go to www.groundhogmax.com. See the "Hitches" section for links to purchase. The main link site there gives a 100% guarantee on their hitches.

MANUFACTURERS suggested for this option. Most 2000 and newer **Bombardier, Can-AM, *Honda, Kawasaki, *Polaris, Suzuki, Yamaha** **NOTE:** Most ***Honda and *Polaris** can also use the GroundHog MAX ATV / UTV Hitch Kit. (SEE #3 below.)

Option #3

The GroundHog MAX ATV/MTV Disc Plow can be bought with a hitch KIT included. The two receiver tubes in this hitch kit are 1 ½" tubes that will fit one side of the T-head on the plow. The other side of our T-Head will fit any 2-inch receiver. **This hitch kit allows the plow to fit many work/ranch ATV's,** Quads, UTV's, Wheelers, and side-by-sides (even some zero turn mowers) USING THE MOUNTING KIT you can (on many ATV's) use your ATV's existing factory utility hole or receiver setup and the ATV's frame to create a strong receiver hitch.

MANUFACTURERS suggested for this option. ***Honda and *Polaris**

HONDA - Work/Ranch types– Foreman , Rancher, Four-Trax, Recon, Rincon, Rubicon. **FITS MANY--2008-** and newer models (some may require extra steps): **FITS MOST --2000-2007:** **FITS SOME --2000-**and older models

POLARIS- Work/Ranch types--Sportsman: FITS MANY -2010 and newer: FITS MOST 2000-2009: FITS SOME- 2000 and older. Also fits some Magnums other Polaris models.

ALL OTHER MAKES OF ATV'S- This hitch KIT may be utilized to possibly fit some other year/makes/models (except Yamaha's).

Note: Most UTV (side-by-sides) come factory equipped with a 2-inch receiver.

Option #4

ALL OLDER (PRE-2000 YEAR, MAKE, AND MODEL ATV's)

Specific year, make, and model aftermarket hitches may not be available for older ATV'S and UTV's. Most hitch manufactures only go back to around 2000. NOTE: Option # 4 can also apply for newer machines that an aftermarket hitch is not available for.

MANUFACTURERS for this option could be. ***Bombardier, Can-AM, *Honda, Kawasaki, *Polaris, Suzuki, Yamaha, any other***

Fabricate a hitch receiver. Take A or B below to a local fabrication shop. They can brace, secure, and strengthen a hitch for you using your existing factory utility hole assembly and fabricating a strong, forward -braced hitch receiver. Be sure they know that this plow puts "up-pressure" on the hitch not tongue weight.

4A. Buy a 2-inch receiver from a retailer that sells Reese or other type receivers. They make a 6-inch long and a 12-inch long receiver. These could be fabricated onto your ATV in a strong manner to work.

4B. Buy the plow with hitch kit. The fabricator can use our 5-inch or 21-inch receiver tube. The GroundHog MAX AYV / UTV Disc Plow with hitch kit box has additional hardware that may also be used. Keep in mind that our receiver tubes are 1 ½- inch, not 2-inch. They specifically fit one of the sides of the T-Head on our plow.

Option #5-

IF YOU DO NOT SEE YOUR ATV/UTV OR HAVE QUESTIONS;

PLEASE CALL OR EMAIL FOR ASSISTANCE

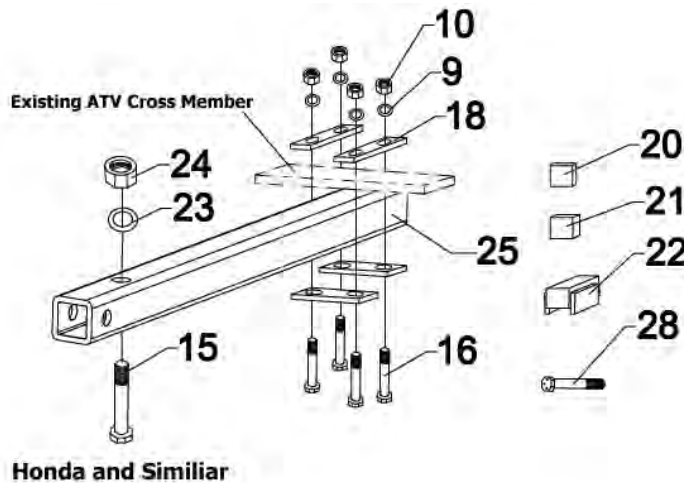
1-800-566-1691 OR keithf@baddawgaccessories.com

Honda Installation Steps-- that our **OPTION 3** kit normally works with the Honda's below.

HONDA-GROUNDHOG MAX RECIEVER SYSTEM INSTRUCTIONS.

These instructions are for Honda's and other ATV's that have either of the 2 utility hole assemblies pictured H-1, H-2, or H-3. All necessary hardware is provided. Covers most work/ranch type Honda's--Foreman, Rancher, Fourtrax, Recon, Rincon, and Rubicon:

A. FITS MOST 2000 to 2007-HONDA 's work These have an existing factory "side-to-side cross member" that is about (1-inch to 3 -inches wide). It basically runs about even with the seat and is down low on the ATV's frame. **FOLLOW STEPS 1A, 2A, 3A below.**



H1



H3



H2

1A. Place the 21 inch collared receiver tube (Part 25) underneath the factory utility hole assembly. Secure it to the ATV by placing a 3/4 bolt (part 15) through (part 25) and the factory utility hole. Place lock washer (part 23) and nut (part 24) onto bolt (part 15) tighten loosely now filling any voids with washers as needed.

2A. Place the 1 1/2" spacers (part 22) on top of the 21 inch receiver tube (part 25) at the point where the ATV has a left to right cross brace. To make part 25 as level as possible fill any voids with other spacers (parts 20,21) or washers if needed. In some cases, where voids are large you may use the 5 inch receiver tube (part 17) as a spacer.

3A. Use the (4) tongue straps (part 18) and (4) 5/8 inch bolts (part 16), nuts (part 10), and lock washers (part 9) to secure the 21 receiver tube (part 25) to the frame of the ATV. Be sure that the bottom tongue straps go left to right and the top tongue straps go front to back. Also, insure that bolts are installed with threads pointing upward toward the bottom of the ATV.

B. Fits 2008 and newer-HONDA'S on some Honda models they started using a wider (5-6-inch wide concave cross member). **To make our kit work if your Honda has this wider member** you would have to buy a long 20" strong, screw type pipe/hose clamp (you can attach 2 shorter ones together). Follow instructions **SEE DRAWING H-1 and PICTURES H-4 below FOLLOW STEPS 1B, 2B, 3B below.**

Clamp Hardware for step 3 not provided.



H4

1B. Place the 21 inch collared receiver tube (Part 25) underneath the factory utility hole assembly. Secure it to the ATV by placing a 3/4 bolt (part 15) through (part 25) and the factory utility hole. Place lock washer (part 23) and nut (part 24) onto bolt (part 15) and tighten loosely (for now) filling any voids with washers as needed.

2B. Place the 1 1/2" spacers (part 22) on top of the 21 inch receiver tube (part 25) at the point where the ATV has a left to right cross brace. To make part 25 as level as possible fill any voids with other spacers (parts 20,21) or washers if needed. In some cases, where voids are large you may use the 5 inch receiver tube (part 17) as a spacer.

3B. Use 2 tongue straps (part 18) on the bottom . To traverse the wider 5 inch cross member you will need to purchase (2) wide adjustable (screw type) clamps. Loop the clamps through the 2 tongue straps on the bottom of the receiver tube and over the top of the wide cross member. Apply spacers as necessary and tighten to secure.

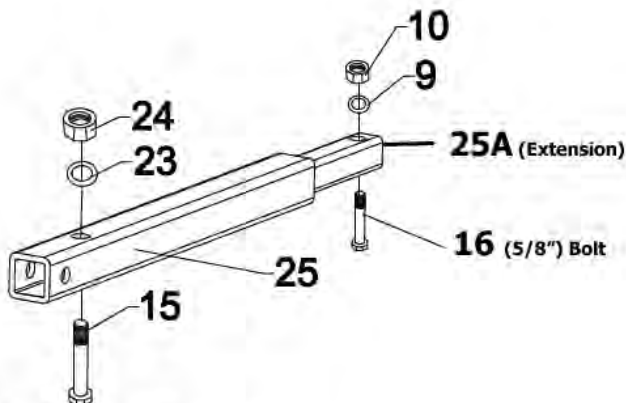
C. HONDA's in General--FITS SOME older (pre-2000) and SOME (2008 and newer) year/make/models. FITS MOST Honda's listed above. Having an existing workable cross member is the key. Remember Option #5.

Polaris Installation Steps-- for our **OPTION 3** kit normally works with the Polaris models below.

POLARIS SPORTSMAN --GROUNDHOG MAX RECIEVER SYSTEM INSTRUCTIONS. These instructions will work for most 2000-2009 Polaris Sportsman and other similar ATV's. All necessary hardware is provided. See steps and pictures below.

A. 2000 to 2006 POLARIS Sportsman

SEE DRAWING P-1 AND POLARIS PICTURES P-2



Polaris and Similiar

P1



P2

1A. Place 5/8 bolt (part 28) medium length or (part 8) short length depending upon space) through the 9 –inch extension tube (part 25-a), utilizing the existing hole in the frame of your ATV. Install the bolt going upwards through the frame and add a washer on top of the frame for strength if possible. Fill any voids with a washer between extension tube and the frame. Now put the nut on loosely at this point.

2A. Slide 21-inch receiver tube (part 25) into 9-inch extension tube (part 25-a). Now install a 3/4" bolt (part 15) through the 21-inch receiver tube (part 25) and the utility hole (fill any voids with spacers/washers as necessary so you can tighten down against the washers for better strength). Install lock washer (part 23) and nut (part 24).

3A. Gradually tighten all nuts securely on both 21 inch receiver tube (part 25) into 9-inch extension tube) part 25-a) tube assembly.

4A. Place the GroundHog Max plow head (part 12) into the 21-inch receiver tube (part 25) and secure with provided tractor pin (part 13) and cottor (part 14).

B. Fits Most 2007 to 2009 POLARIS Sportsman All necessary hardware is provided.



P3

1B. Place 5/8 bolt (part 28) medium length or part 8 short length depending upon space) through the 9 –inch extension tube (part 25-a), utilize an existing hole in the frame of your ATV. Install the bolt going upwards through the frame and add a washer on top of the frame for strength if possible. Fill any voids with a washer between extension tube and the frame. Now put the nut on loosely at this point.

2B. Slide 21-inch receiver tube (part 25) into 9-inch extension tube (part 25-a). Hold the assembled tube up to the bottom of the ATV.

3B. Place 1 tongue strap (part 16) under the 21-inch tube (part (25) and place another tongue strap (part 16) on top of the existing 1 1/4 Polaris factory receiver hitch.

21 Attachment Options

4B. Install (2) long 5/8-inch bolts (part 16) up through the bottom tongue strap (part 18) and the existing triangular holes on the ATV and the top tongue strap (part 18). Install lock washers (part 23) and nuts (part 24). SEE Polaris picture P-3 below.

5B. Gradually tighten all nuts securely on both 21-inch receiver tube (part 25) into 9-inch extension tube assembly (part 25-a). Keep the end of the GHMAX receiver tube as close to the end of the factory 1 ¼ -inch receiver as possible.

6B. Install (2) long 5/8-inch bolts (part 16) up through the bottom tongue strap (part 18) and the existing triangular holes on the ATV and the top tongue strap (part 18). Install lock washers (part 23) and nuts (part 24).

C. . POLARIS in General—Fits Some 2010 and newer and some older (pre- 2000) year/make/models. Fits MOST Polaris listed above. Our kit works on some Magnums. Call 1-800-566-1691 if you have questions.



For additional information, please see us at

www.groundhogmax.com

Bad Dawg Accessories

1 Bad Boy Blvd.

Batesville, Arkansas 72501

1-877-522-3364