



**Count on it.**

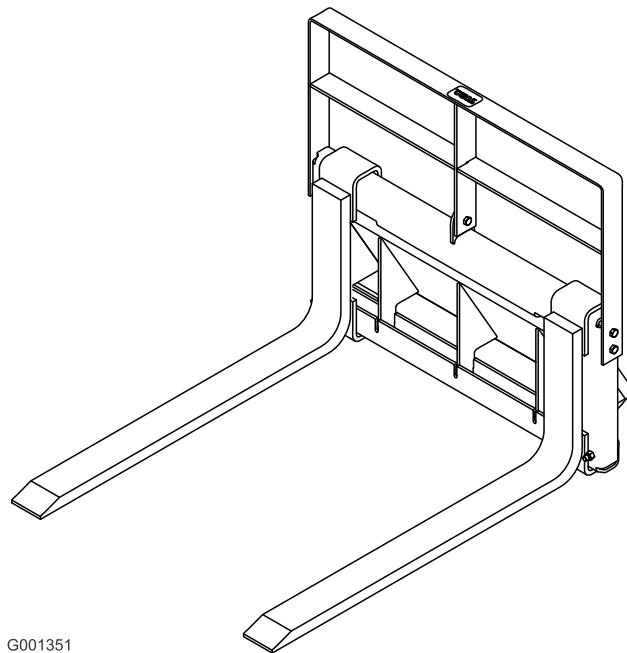
**Operator's Manual**

# Adjustable Forks

## Compact Utility Loaders

Model No. 22341—Serial No. 315000001 and Up

Model No. 23164—Serial No. 315000001 and Up



G001351



**⚠ WARNING**

**CALIFORNIA  
Proposition 65 Warning**

**This product contains a chemical or chemicals known to the State of California to cause cancer, birth defects, or reproductive harm.**

**Use of this product may cause exposure to chemicals known to the State of California to cause cancer, birth defects, or other reproductive harm.**



**Figure 2**

1. Safety-alert symbol

This manual uses 2 words to highlight information.

**Important** calls attention to special mechanical information and **Note** emphasizes general information worthy of special attention.

# Contents

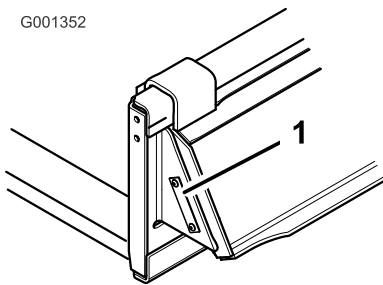
- Safety ..... 3
  - Safety and Instructional Decals ..... 3
- Setup ..... 4
  - 1 Assembling the Forks ..... 4
- Product Overview ..... 5
  - Specifications ..... 5
  - Stability Ratings..... 5
- Operation ..... 6
  - Installing the Forks on the Traction Unit ..... 6
  - Removing the Attachment ..... 7
  - Operating Tips ..... 7
- Storage ..... 7

# Introduction

Read this information carefully to learn how to operate and maintain your product properly and to avoid injury and product damage. You are responsible for operating the product properly and safely.

You may contact Toro directly at [www.Toro.com](http://www.Toro.com) for product safety and operation training materials, accessory information, help finding a dealer, or to register your product.

Whenever you need service, genuine Toro parts, or additional information, contact an Authorized Service Dealer or Toro Customer Service and have the model and serial numbers of your product ready. **Figure 1** identifies the location of the model and serial numbers on the product. Write the numbers in the space provided.



**Figure 1**

1. Model and serial number location

<p><b>Model No.</b> _____</p> <p><b>Serial No.</b> _____</p>
--

This manual identifies potential hazards and has safety messages identified by the safety-alert symbol (**Figure 2**), which signals a hazard that may cause serious injury or death if you do not follow the recommended precautions.

# Safety

Improper use or maintenance by the operator or owner can result in injury. To reduce the potential for injury, comply with these safety instructions and those in the traction unit *Operator's Manual*. Always pay attention to the safety-alert symbol, which means *Caution, Warning, or Danger*—personal safety instruction. Failure to comply with the instruction may result in personal injury or death.

## ⚠ WARNING

When the engine is off, attachments in the raised position can gradually lower. Someone nearby may be pinned or injured by the attachment as it lowers.

Always lower the attachment lift each time you shut off the engine.

## ⚠ WARNING

When going up or down hill, the machine could overturn if the heavy end is toward the downhill side. Someone may be pinned or seriously injured by the machine if it overturns.

Operate the machine up and down slopes with the heavy end of the machine uphill. This attachment makes the front end heavy.

## ⚠ WARNING

If you step off the platform with the load raised, the machine could tip forward. Someone nearby may be pinned or injured.

Lower the forks before stepping off the platform.

## ⚠ WARNING

If the forks are not kept level while lifting, the load could be inadvertently dumped on you. The operator could be injured when the load is dumped.

When lifting the forks, tilt them forward to keep them level and prevent spilling backward.

# Safety and Instructional Decals



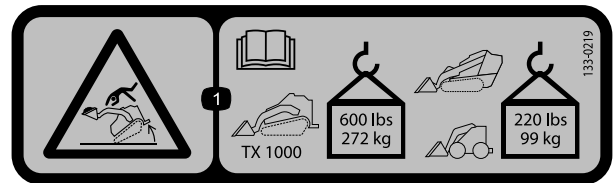
Safety decals and instructions are easily visible to the operator and are located near any area of potential danger. Replace any decal that is damaged or lost.



110-0067

Model 23164 Only

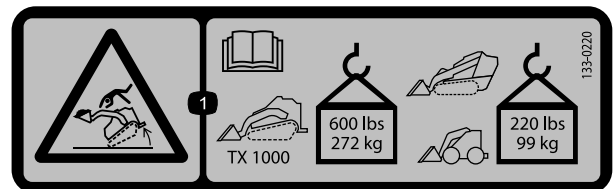
1. Tipping hazard, exceeding rated load capacity can cause instability—read the *Operator's Manual*; do not exceed maximum load capacity of 136 kg (300 lb); for TX 413 models, do not exceed maximum load capacity of 93 kg (205 lb).



133-0219

Model 22341 Only

1. Tipping hazard—read the *Operator's Manual*; for the TX 1000 do not exceed loads of 600 lb (272 kg); for other models do not exceed loads of 220 lb (91 kg).



133-0220

Model 22341 Only

1. Tipping hazard—read the *Operator's Manual*; for the TX 1000 do not exceed loads of 600 lb (272 kg); for other models do not exceed loads of 220 lb (91 kg).

# Setup

## Loose Parts

Use the chart below to verify that all parts have been shipped.

Procedure	Description	Qty.	Use
1	Adjustable-forks frame	1	Assemble the forks.
	Fork	2	
	Upper fork frame	1	
	Bolt (3/8 x 1 inch)	7	
	Locknut (3/8 inch)	7	

# 1

## Assembling the Forks

Parts needed for this procedure:

1	Adjustable-forks frame
2	Fork
1	Upper fork frame
7	Bolt (3/8 x 1 inch)
7	Locknut (3/8 inch)

## Procedure

1. Install the forks over the adjustable-forks frame as shown in [Figure 3](#), and secure each fork with a bolt (3/8 x 1 inch) and locknut (3/8 inch).

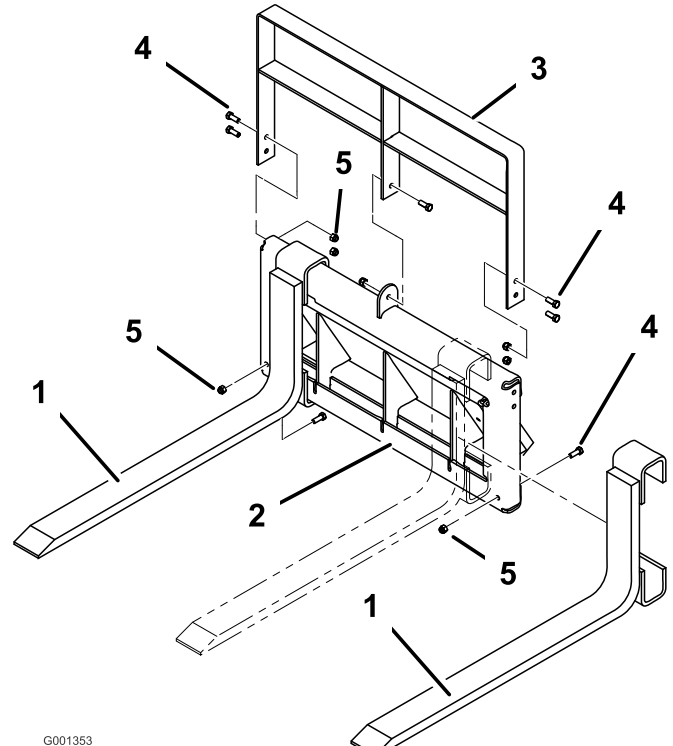


Figure 3

- |                     |                        |
|---------------------|------------------------|
| 1. Fork             | 4. Bolt (3/8 x 1 inch) |
| 2. Fork frame       | 5. Locknut             |
| 3. Upper fork frame |                        |

2. Install the upper fork frame over the assembly as shown in [Figure 3](#), and secure the upper frame using 5 bolts (3/8 x 1 inch) and 5 locknuts (3/8 inch).
3. Tighten all fasteners securely.

# Product Overview

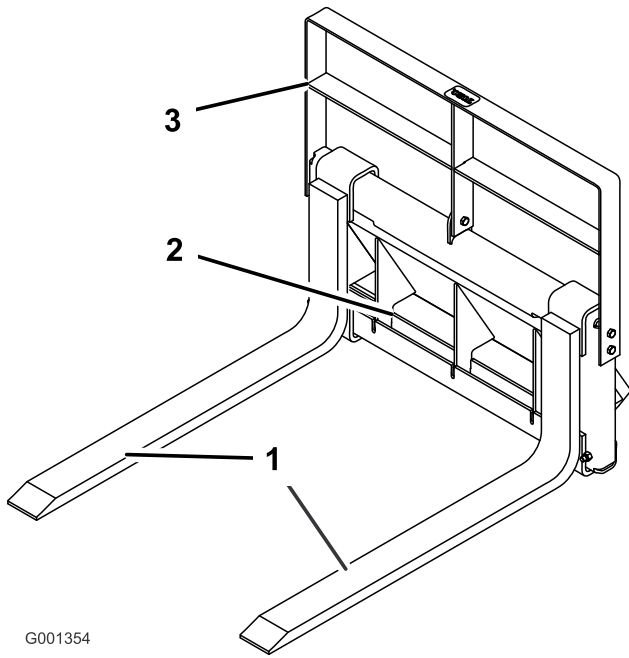


Figure 4

- 1. Fork
- 2. Adjustable-forks frame
- 3. Upper frame

## Specifications

**Note:** Specifications and design are subject to change without notice.

### Model 22341

Overall width	80 cm (31 inches)
Overall length	115 cm (45 inches)
Overall height	69 cm (27 inches)
Weight	74 kg (162 lb)
Fork length	91 cm (36 inches)
Fork cross-section size	10.2 x 3.2 cm (4.0 x 1 inches)
Fork with adjustment range (outside to outside dimensions)	23 to 76 cm (9 to 30 inches)
Load rating capacity (per SAE J1197)	272 kg (600 lb)

### Model 23164

Overall width	80 cm (31 inches)
Overall length	105 cm (41 inches)
Overall height	69 cm (27 inches)
Weight	74 kg (162 lb)
Fork length	80 cm (32 inches)
Fork cross-section size	7.6 x 2.5 cm (3 x 1 inch)
Fork with adjustment range (outside to outside dimensions)	17 to 76 cm (6.5 to 30 inches)
Load rating capacity (per SAE J1197)	152 kg (300 lb) 93 kg (205 lb) for TX413

## Stability Ratings

To determine the degree of slope you can traverse with the adjustable installed on a traction unit, find the stability rating for the hill position you want to travel in the appropriate table below, then find the degree of slope for the same rating and hill position in the Stability Data section of the traction unit *Operator's Manual*.

**Important:** The forks are rated for use with the counterweight. Do not use the forks without the counterweight; otherwise, the traction unit will become unstable.

### Stability with Loaded Forks

Orientation	Stability Rating
<b>Front Uphill</b> 	<b>B</b>
<b>Rear Uphill</b> 	<b>D</b>
<b>Side Uphill</b> 	<b>B</b>

### Stability with Unloaded Forks

Orientation	Stability Rating
<b>Front Uphill</b> 	<b>D</b>
<b>Rear Uphill</b> 	<b>B</b>
<b>Side Uphill</b> 	<b>B</b>

## ⚠ WARNING

Exceeding the maximum slope can cause the traction unit to tip. If the traction unit tips, you or bystanders could be crushed.

Do not drive the traction unit on a slope steeper than the maximum slope.

# Operation

## Installing the Forks on the Traction Unit

**Important:** Before installing the attachment, ensure that the mount plates are free of any dirt or debris and that the pins rotate freely. If the pins do not rotate freely, grease them; refer to the *Operator's Manual* for the traction unit for more information.

1. Position the attachment on a level surface with enough space behind it to accommodate the traction unit.
2. Start the engine.
3. Tilt the attachment-mount plate forward.
4. Position the mount plate into the upper lip of the attachment-receiver plate (Figure 5).

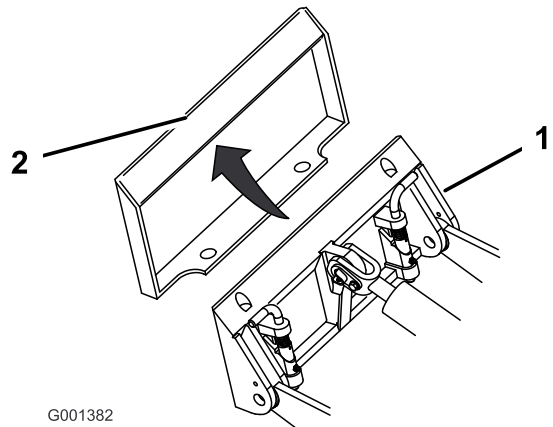


Figure 5

1. Mount plate
2. Receiver plate

5. Raise the loader arms while tilting back the mount plate.

**Important:** Raise the attachment enough to clear the ground, and tilt the mount plate all the way back.

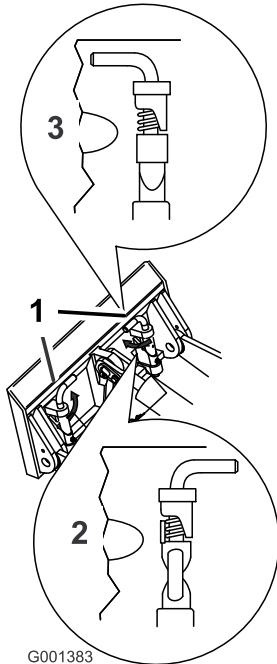
6. Stop the engine.
7. Engage the quick-attach pins, ensuring that they are fully seated in the mount plate (Figure 6).

**Important:** If the pins do not rotate to the engaged position, the mount plate is not fully aligned with the holes in the attachment-receiver plate. Check the receiver plate and clean it if necessary.

## **⚠ WARNING**

If you do not fully seat the quick-attach pins through the attachment-mount plate, the attachment could fall off the traction unit, crushing you or bystanders.

Ensure that your quick-attach pins are fully seated in the attachment-mount plate.



**Figure 6**

1. Quick-attach pins (shown in the engaged position)
2. Disengaged position
3. Engaged position

## **Storage**

1. Before long-term storage, wash the attachment with mild detergent and water to remove dirt and grime from the entire attachment.
2. Paint all scratched or bare metal surfaces. Paint is available from your Authorized Service Dealer.
3. Store the attachment in a clean, dry garage or storage area. Cover it to protect it and keep it clean.

---

## **Removing the Attachment**

1. Lower the attachment to the ground.
2. Stop the engine.
3. Disengage the quick-attach pins by turning them to the outside.
4. Start the engine, tilt the mount plate forward, and back the traction unit away from the attachment.

## **Operating Tips**

- To adjust the forks, slide them along the frame to the desired width. Adjust the forks to the widest possible setting to ensure that the load is as stable as possible.
- When transporting a load, keep the forks as close to the ground as possible.
- Never use the forks for prying as damage may occur.
- Never attempt to lift more than the rated lift capacity of the traction unit.



# Toro Compact Utility Equipment Warranty

A One-Year Limited Warranty

Compact Utility Equipment  
(CUE) Products

## Conditions and Products Covered

The Toro Company and its affiliate, Toro Warranty Company, pursuant to an agreement between them, jointly warrant your Toro Compact Utility Equipment ("Product") to be free from defects in materials or workmanship. The following time periods apply from the date of purchase:

Products	Warranty Period
Pro Sneak Compact Utility Loaders, Trenchers, Stump Grinders, and Attachments	1 year or 1000 operating hours, whichever occurs first
Kohler Engines	3 years*
All other Engines	2 years*

Where a warrantable condition exists, we will repair the Product at no cost to you including diagnosis, labor, and parts.

\*Some engines used on Toro Products are warranted by the engine manufacturer.

## Instructions for Obtaining Warranty Service

If you think that your Toro Product contains a defect in materials or workmanship, follow this procedure:

- Contact any Authorized Toro Compact Utility Equipment (CUE) Service Dealer to arrange service at their dealership. To locate a dealer convenient to you, access our website at [www.Toro.com](http://www.Toro.com). You may also call our Toro Customer Care Department toll free at the number below.
- Bring the product and your proof of purchase (sales receipt) to the Service Dealer.
- If for any reason you are dissatisfied with the Service Dealer's analysis or with the assistance provided, contact us at:

SWS Customer Care Department  
Toro Warranty Company  
8111 Lyndale Avenue South  
Bloomington, MN 55420-1196  
Toll Free: 888-384-9940

## Owner Responsibilities

You must maintain your Toro Product by following the maintenance procedures described in the *Operator's Manual*. Such routine maintenance, whether performed by a dealer or by you, is at your expense. Parts scheduled for replacement as required maintenance ("Maintenance Parts"), are warranted for the period of time up to the scheduled replacement time for that part. Failure to perform required maintenance and adjustments can be grounds for disallowing a warranty claim.

## Items and Conditions Not Covered

Not all product failures or malfunctions that occur during the warranty period are defects in materials or workmanship. This express warranty does not cover the following:

- Product failures which result from the use of non-Toro replacement parts, or from installation and use of add-on, modified, or unapproved accessories
- Product failures which result from failure to perform required maintenance and/or adjustments
- Product failures which result from operating the Product in an abusive, negligent or reckless manner
- Parts subject to consumption through use unless found to be defective. Examples of parts which are consumed, or used up, during normal product operation include, but are not limited to, belts, wipers, spark plugs, tires, filters, gaskets, wear plates, seals, O-rings, drive chains, clutches.
- Failures caused by outside influence. Items considered to be outside influence include, but are not limited to, weather, storage practices, contamination, use of unapproved coolants, lubricants, additives, or chemicals, etc.
- Normal "wear and tear" items. Normal "wear and tear" includes, but is not limited to, worn painted surfaces, scratched decals, etc.
- Repairs necessary due to failure to follow recommended fuel procedure (consult *Operator's Manual* for more details)
  - Removing contaminants from the fuel system is not covered
  - Use of old fuel (more than one month old) or fuel which contains more than 10% ethanol or more than 15% MTBE
  - Failure to drain the fuel system prior to any period of non-use over one month
- Any component covered by a separate manufacturer's warranty
- Pickup and delivery charges

## General Conditions

Repair by an Authorized Toro Compact Utility Equipment (CUE) Service Dealer is your sole remedy under this warranty.

**Neither The Toro Company nor Toro Warranty Company is liable for indirect, incidental or consequential damages in connection with the use of the Toro Products covered by this warranty, including any cost or expense of providing substitute equipment or service during reasonable periods of malfunction or non-use pending completion of repairs under this warranty. All implied warranties of merchantability and fitness for use are limited to the duration of this express warranty. Some states do not allow exclusions of incidental or consequential damages, or limitations on how long an implied warranty lasts, so the above exclusions and limitations may not apply to you.**

This warranty gives you specific legal rights, and you may also have other rights which vary from state to state.

Except for the engine warranty coverage and the Emissions warranty referenced below, if applicable, there is no other express warranty. The Emissions Control System on your Product may be covered by a separate warranty meeting requirements established by the U.S. Environmental Protection Agency (EPA) or the California Air Resources Board (CARB). The hour limitations set forth above do not apply to the Emissions Control System Warranty. Refer to the California Emission Control Warranty Statement supplied with your Product or contained in the engine manufacturer's documentation for details.

## Countries Other than the United States or Canada

Customers who have purchased Toro products outside the United States or Canada should contact their Toro Distributor (Dealer) to obtain guarantee policies for your country, province, or state. If for any reason you are dissatisfied with your Distributor's service or have difficulty obtaining guarantee information, contact the Toro importer. If all other remedies fail, you may contact us at Toro Warranty Company.

**Australian Consumer Law:** Australian customers will find details relating to the Australian Consumer Law either inside the box or at your local Toro Dealer.